

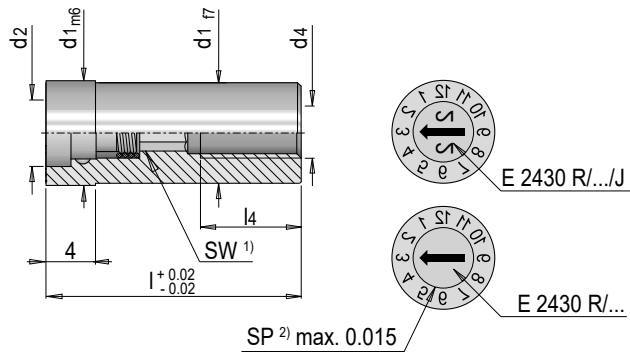
E 24005 R



Stempel lang Monat, mit Rastfunktion

Month stamp with latching function, long

- » Demontage von der Trennebene
- » Fixe Pfeilposition durch Einrasten des Pfeileinsatzes
- » Ohne Höhenverstellung
- » Removal from the split line face
- » Fixed arrow position through the latching of the arrow insert
- » With fixed height



Mat.: 1.4112

≈ 52 HRC

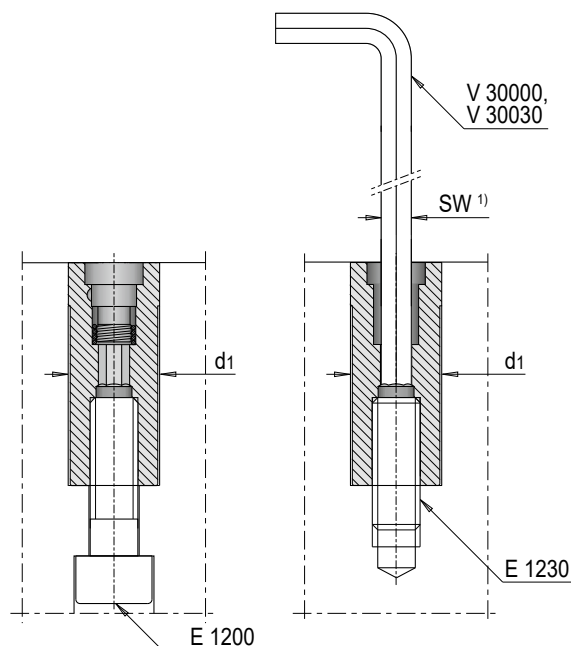
t max. = 340°C

SW ¹⁾	l4	l	d4	d2	d1	J	Nr. / No.
1.5	3	14	M 2	2.6	4	-	E 24005 R/ 4
						22	E 24005 R/ 4/22
						23	E 24005 R/ 4/23
	6	17	M 3	2.9	5	24	E 24005 R/ 4/24
						-	E 24005 R/ 5
						22	E 24005 R/ 5/22
2	7	20	M 4	3.95	6	23	E 24005 R/ 5/23
						24	E 24005 R/ 5/24
						-	E 24005 R/ 6
	2.5	20	M 4	5	8	22	E 24005 R/ 6/22
						23	E 24005 R/ 6/23
						24	E 24005 R/ 6/24
3	25	M 5	6.3	10	-	E 24005 R/ 8	
					22	E 24005 R/ 8/22	
					23	E 24005 R/ 8/23	
	25	M 6	7.5	12	10	24	E 24005 R/ 8/24
						-	E 24005 R/10
						22	E 24005 R/10/22
24	12	M 6	7.5	12	23	E 24005 R/10/23	
					24	E 24005 R/10/24	
					-	E 24005 R/12	
22	12	M 6	7.5	12	22	E 24005 R/12/22	
					23	E 24005 R/12/23	
					24	E 24005 R/12/24	

1) SW: Schlüsselweite zur Montage von der Trennebene / SW: Wrench size for installation from the split line face

2) SP: Luftspalt / SP: Air gap

MONTAGE / DEMONTAGE MOUNTING / DISMANTELING



Not intended for use in the USA and Japan!