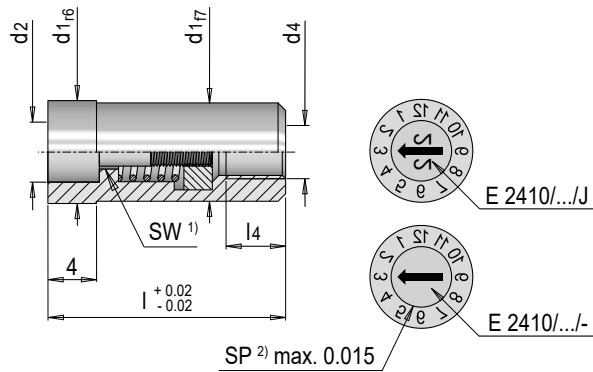


## E 24005



### Stempel lang Monat, ohne Höhenverstellung

Month stamp with fixed height, long



Mat.: 1.4112      ≈ 52 HRC

SW <sup>1)</sup>	l4	l	d4	d2	d1	J	Nr. / No.	
2	3	14	M 2	2.5	4	-	E 24005/ 4	
						22	E 24005/ 4/22	
						23	E 24005/ 4/23	
		24	E 24005/ 4/24					
		22	E 24005/ 5/22					
		23	E 24005/ 5/23					
	3	5	20	M 4	4.6	8	-	E 24005/ 8
							22	E 24005/ 8/22
							23	E 24005/ 8/23
			24	E 24005/ 8/24				
			22	E 24005/10/22				
			23	E 24005/10/23				
4		7	25	M 6	6.4	12	-	E 24005/12
							22	E 24005/12/22
							23	E 24005/12/23
			24	E 24005/12/24				
			22	E 24005/16/22				
			23	E 24005/16/23				
	5	9	33	M 8	8.4	16	-	E 24005/16/24
							22	E 24005/16/22
							23	E 24005/16/23
							24	E 24005/16/24

1) SW: Schlüsselweite zur Montage von der Trennebene / SW: Wrench size for installation from the split line face

2) SP: Luftspalt / SP: Air gap

### MONTAGE MOUNTING

