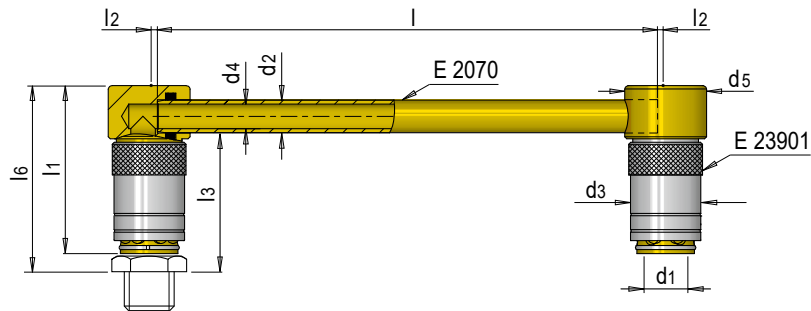
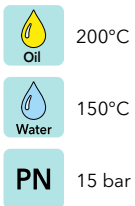


## E 2390



Brücke, steckbar, mit Kupplungen, System USA

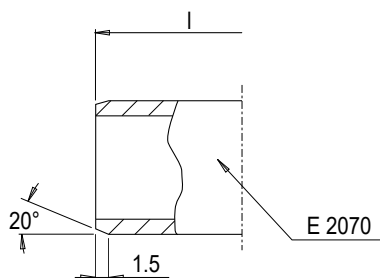
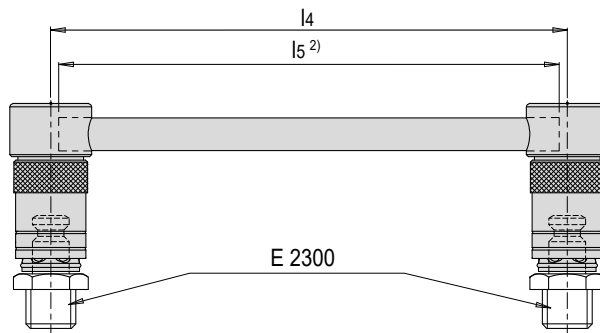
Bridge, plug-in type, with couplers, USA system



Mat.: 2.0401 (CuZn)

l1	d2	l2	d3	l3	l6	d4	d5	d1	l <sup>1)</sup>	Nr./No.
41	8	2	17	33	44	6	20	9.4	250	E 2390/ 9/250
									500	E 2390/ 9/500
53	10	1.75	23	41	53	8	25.5	13.5	250	E 2390/13/250
									500	E 2390/13/500

1) l: Lieferlänge - kundenseitig kürzen und Fase anbringen / l: Standard length of the product supplied - shortening and chamfering to be done by the customer



2) l5:  $l5 = (l4 - 4.5 \text{ mm}) \pm 0.5$