

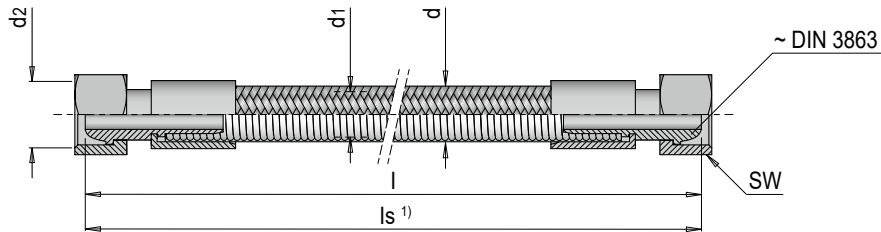
## E 21872



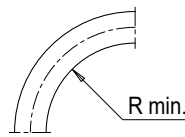
### Hochtemperaturschlauch

High temperature hose

- » Hochflexibel
- » Langlebig
- » Highly flexible
- » Durable



Mat.: PFA, 1.4301, Stahl verzinkt  
PFA, 1.4301, galvanized steel



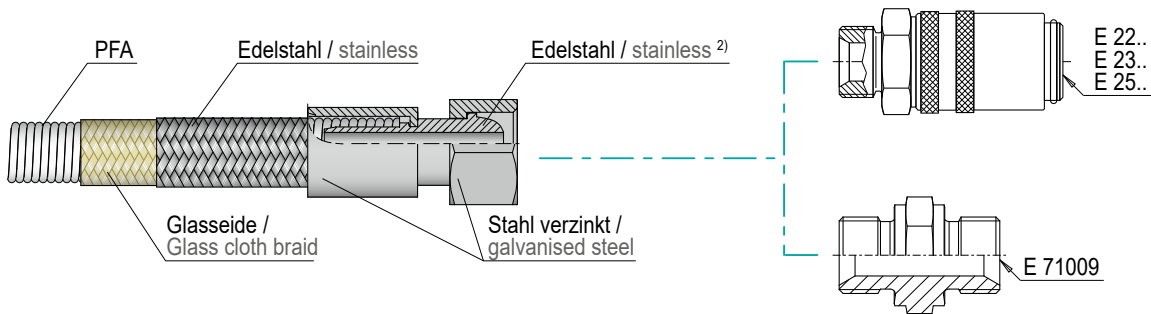
p max. = 60 bar t max. = 200°C

R min.	SW	d	d1	d2	l	Nr. / No.
50	17	15	10	M 14 x 1,5	300	E 21872/10/14/ 300
					500	E 21872/10/14/ 500
					750	E 21872/10/14/ 750
					1000	E 21872/10/14/1000
					1500	E 21872/10/14/1500
					2000	E 21872/10/14/2000
					2500	E 21872/10/14/2500
				G 1/4"	300	E 21872/10/1/4/ 300
					500	E 21872/10/1/4/ 500
					750	E 21872/10/1/4/ 750
					1000	E 21872/10/1/4/1000
					1500	E 21872/10/1/4/1500
					2000	E 21872/10/1/4/2000
					2500	E 21872/10/1/4/2500

R min.	SW	d	d1	d2	l	Nr. / No.
60	19	18	13	M 16 x 1,5	300	E 21872/13/16/ 300
					500	E 21872/13/16/ 500
					750	E 21872/13/16/ 750
					1000	E 21872/13/16/1000
					1500	E 21872/13/16/1500
					2000	E 21872/13/16/2000
					2500	E 21872/13/16/2500
	22			G 3/8"	300	E 21872/13/3/8/ 300
					500	E 21872/13/3/8/ 500
					750	E 21872/13/3/8/ 750
					1000	E 21872/13/3/8/1000
					1500	E 21872/13/3/8/1500
					2000	E 21872/13/3/8/2000
					2500	E 21872/13/3/8/2500

1) l<sub>s</sub>: Sonderlängen sind im Shop bestellbar / l<sub>s</sub>: Special lengths are available in our Shop

2) Universal-Dichtkegel für 24°/60° / Universal sealing cone for 24°/60°



**i** Weitere Informationen finden Sie im Informationsteil.  
You can find more information in the information section.