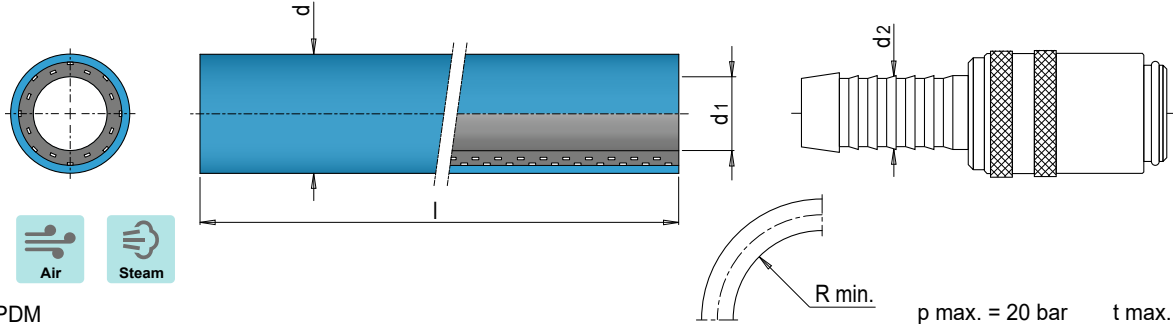


E 2180



Temperierschlauch, EPDM

EPDM coolant hose



Mat.: EPDM

p max. = 20 bar t max. = 140°C

Farbe / Colour	R min.	d	d1	d2	l	Nr. / No.
● blau / blue	60	16.5	9.5	9	10 m	E 2180/ 9/10/B
					50 m	E 2180/ 9/50/B
● rot / red	60	16.5	9.5	9	10 m	E 2180/ 9/10/R
					50 m	E 2180/ 9/50/R
● schwarz / black	60	16.5	9.5	9	10 m	E 2180/ 9/10/S
					50 m	E 2180/ 9/50/S
● blau / blue	80	21.5	12.7	13	10 m	E 2180/13/10/B
					50 m	E 2180/13/50/B
● rot / red	80	21.5	12.7	13	10 m	E 2180/13/10/R
					50 m	E 2180/13/50/R
● schwarz / black	80	21.5	12.7	13	10 m	E 2180/13/10/S
					50 m	E 2180/13/50/S
● blau / blue	105	27	19	19	30 m	E 2180/19/30/B
						E 2180/19/30/R
● schwarz / black	105	27	19	19	30 m	E 2180/19/30/S