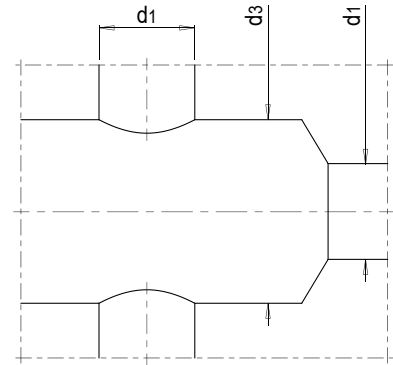
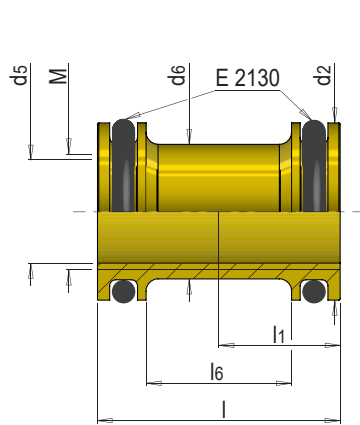
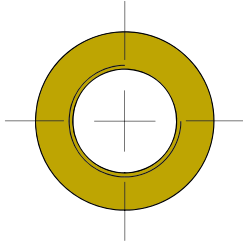


E 21480



Kühlkreuzung

Cooling channel connector



Mat.: 2.0401 (CuZn), FKM (Viton)

t max = 100°C Wasser/water  
180°C Öl/oil

2x E 2130/.. x ..	l	l1	d2	d3	d4	d5	d6	l6	M	d1	Nr. / No.
E 2130/ 8 x1,5	20	10	11.1	11.5	G 1/4"	6.8	9	12.8	M 8	6	E 21480/ 6
E 2130/ 11 x2	20	10	14.6	15	G 3/8"	8.5	11	12	M10	8	E 21480/ 8
E 2130/ 13,9x2,4	24	12	18.2	18.5	G 1/2"	10.2	13	14	M12	10	E 21480/10
E 2130/ 20 x2,5	24	12	23.8	24.5	G 3/4"	14	17	14	M16	12	E 21480/12

**EINBAUBEISPIEL:**

EXAMPLES OF INSTALLATION:

