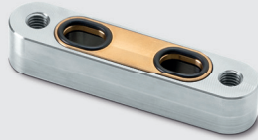
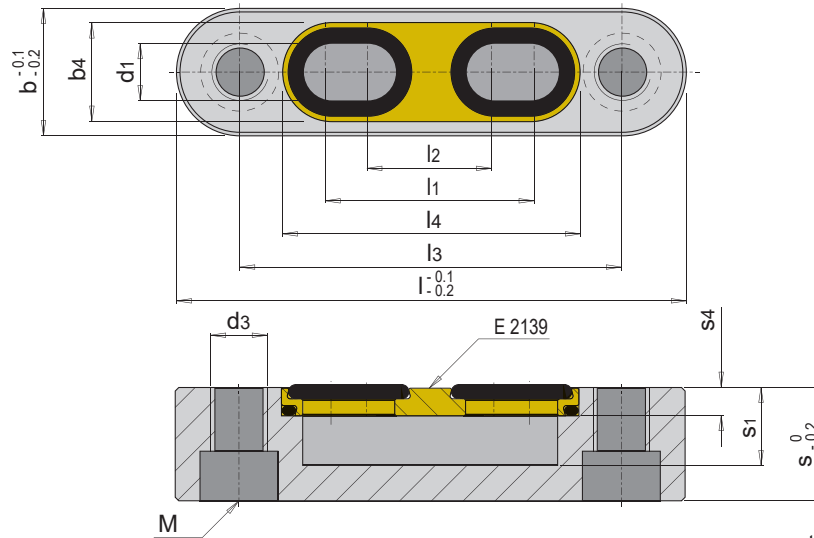


E 2142



Umlenkeinheit, variabel

Deflection unit, adjustable



Mat.: 1.2085, 2.0401 / FKM (Viton)

p max. = 6 bar

t max = 100°C Wasser/water
180°C Öl/oil

M	d3	s	s4	s1	b	b4	l	l3	l4	d1	l1	l2	Nr. / No.
5	M6	14	4	9	16	12	62	46	36	6	24	16	E 2142/ 6/24/16
							70	54	44		32	24	E 2142/ 6/32/24
6	M8	16	4	11	18	14	72		42	8	28	18	E 2142/ 8/28/18
							80	62	50		36	28	E 2142/ 8/36/28
		17		12	20	16	90	70	56	10	30	20	E 2142/10/30/20
										40	30	E 2142/10/40/30	

