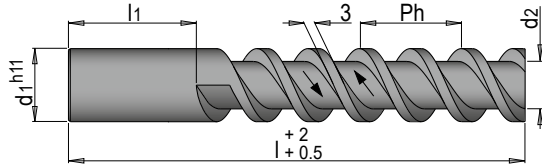


E 2122..



Spiralkern, zweigängig

Spiral core, double threaded



Polyamid
Polyamide

Messing
Brass



E 2122

tmax.: 140°C
Mat.: PA 6.6 GF 30



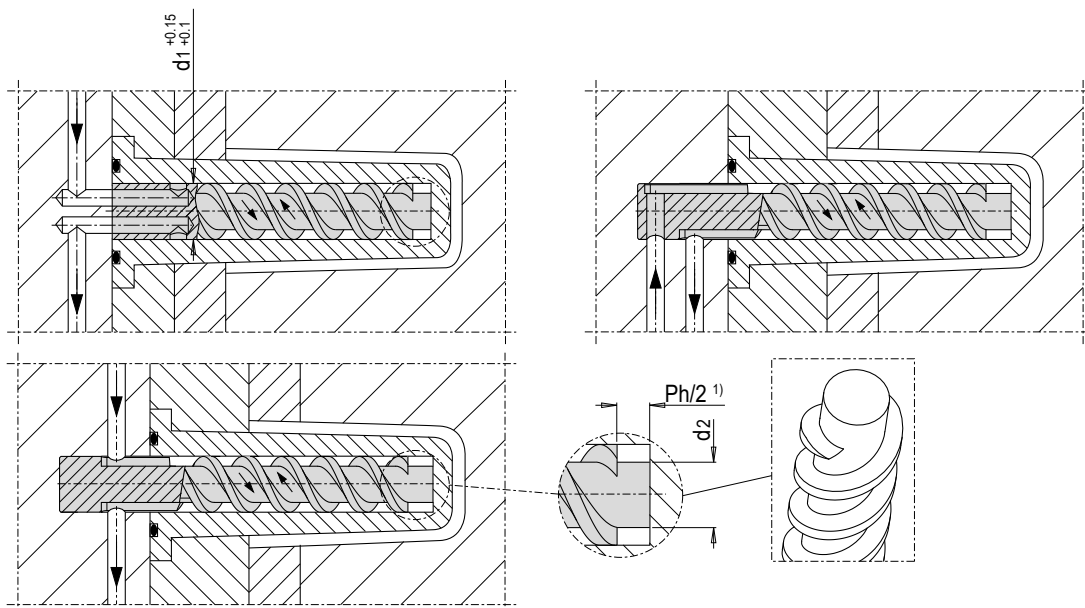
E 21228

tmax.: 250°C
Mat.: 2.0401 (CuZn)

l1	Ph	d2	d1	l	Nr. / No.	Nr. / No.
35	28	8	12	125	E 2122/12x125	E 21228/12x125
				175	E 2122/12x175	
				250	E 2122/12x250	E 21228/12x250
		11	16	125	E 2122/16x125	E 21228/16x125
				175	E 2122/16x175	
				250	E 2122/16x250	E 21228/16x250
	13	20	125	E 2122/20x125	E 21228/20x125	
			175	E 2122/20x175		
			250	E 2122/20x250	E 21228/20x250	
	36	15	25	125	E 2122/25x125	E 21228/25x125
				175	E 2122/25x175	
				250	E 2122/25x250	E 21228/25x250
22		32	125	E 2122/32x125	E 21228/32x125	
			175	E 2122/32x175		
			250	E 2122/32x250	E 21228/32x250	
32	26	40	125	E 2122/40x125	E 21228/40x125	
			175	E 2122/40x175		
			250	E 2122/40x250	E 21228/40x250	
	32	50	125	E 2122/50x125	E 21228/50x125	
			175	E 2122/50x175		
			250	E 2122/50x250	E 21228/50x250	

EINBAUBEISPIEL:

EXAMPLES OF INSTALLATION:



1) Ph/2: Durchfluss freistellen / Provide a clearance for the flow passage

Verdrehsicherung vorsehen
Provide an anti-twist lock

Abzugsgewinde vorsehen
Provide a withdrawal thread