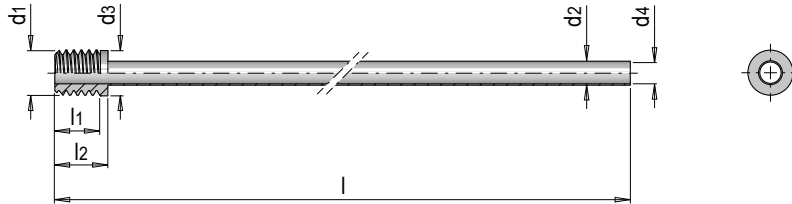


E 21192



Kühldüse mit Gewinde

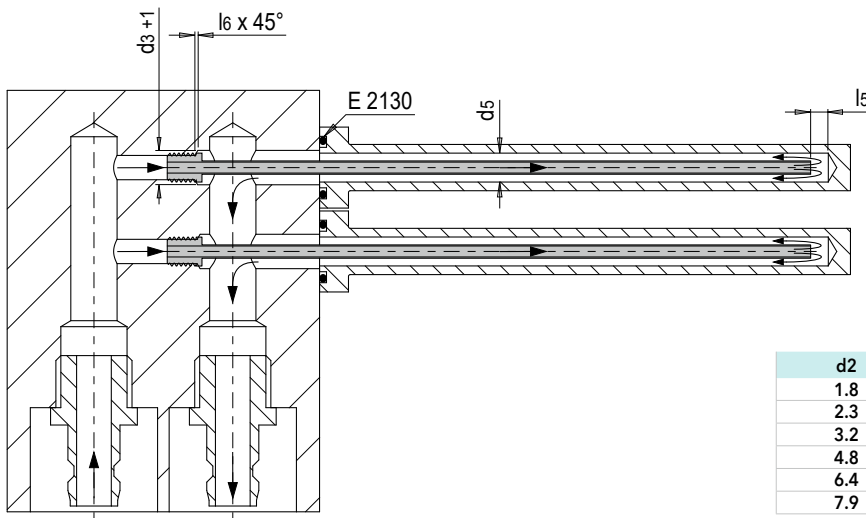
Fountain with thread



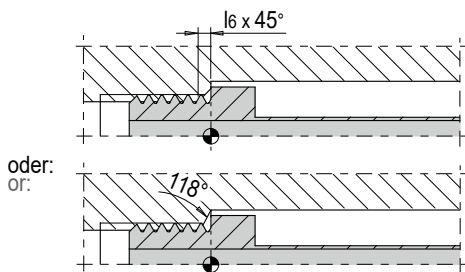
Mat.: 1.4301

t max = 300°C

l1	l2	d3	d4	d2	d1	l	Nr. / No.
4	5	4	1.5	1.8	M 4	450	E 21192/ 1,8/ 4x450
5	6	5	1.9	2.3	M 5		E 21192/ 2,3/ 5x450
6	7	6	2.8	3.2	M 6		E 21192/ 3,2/ 6x450
8	10	8	4.2	4.8	M 8		E 21192/ 4,8/ 8x450
10	12	10	5.8	6.4	M10		E 21192/ 6,4/ 10x450
12	14	12	7.3	7.9	M12		E 21192/ 7,9/ 12x450
						600	E 21192/ 7,9/ 12x600



d2	d5	l5	l6
1.8	2.5 - 3	4	0.5
2.3	3 - 4.5	4	0.5
3.2	4.5 - 6.5	6	0.8
4.8	6.5 - 9	8	0.8
6.4	9 - 11	8	1
7.9	11 - 13	10	1



oder:  
or:



- » Sehr kleiner Einbauraum ermöglicht minimalen Kühldüsenabstand
- » Werkzeugloses Einschrauben in das metrische Aufnahmegewinde
- » Hochwertige Edelstahl-Kühldüse ohne Querschnittsverengung

- » Small installation space enabling minimum distance between the fountains
- » Can be screwed into the metric thread without using a tool
- » High-grade stainless steel fountain without narrowing cross-section

