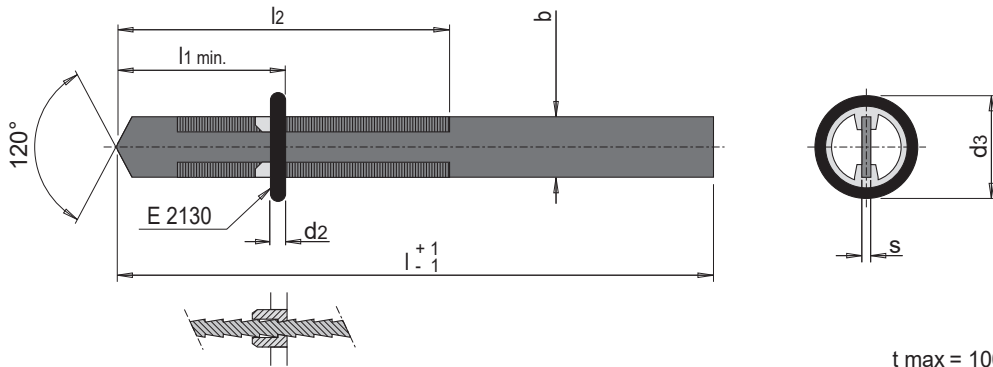


**E 2107**



**Umlenkeinheit aus Kunststoff mit O-Ring**

*Deflection unit from plastic with O-ring seal*



Mat.: PA 6.6 GF 30 / FKM (Viton)

t max = 100°C Wasser/water  
140°C Öl/oil

E 2130/.. x ..	s	s2	d2	d3	d5	d6	l1 min.	l2	l5	b	l	Nr. / No.
E 2130/ 12 x2,5	1.5	1.9	2.5	17	10	18.4	13	55	10	<b>10</b>	<b>220</b>	E 2107/10/220
E 2130/ 17 x2,5	1.8	1.9	2.5	22	15	23.4	19	70	15	<b>15</b>	<b>300</b>	E 2107/15/300
E 2130/ 22 x3	2	2.3	3	28	20	29.8	24	90	20	<b>20</b>	<b>350</b>	E 2107/20/350
E 2130/ 27 x3	2	2.3	3	33	25	34.8	29	115	25	<b>25</b>	<b>380</b>	E 2107/25/380

