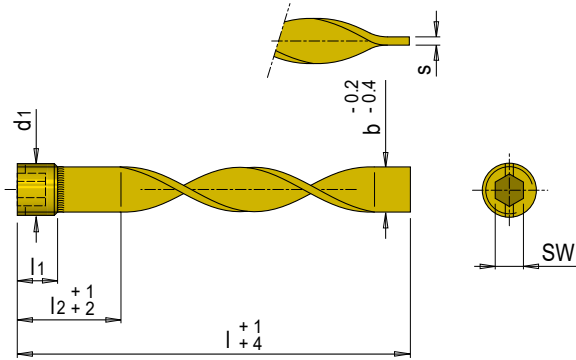


E 210..



Umlenblech spiralförmig mit Gewinde

Threaded spiral baffle



Mat.: 2.0401 (CuZn)

mit Dichtmittel  
with sealant

ohne Dichtmittel  
without sealant



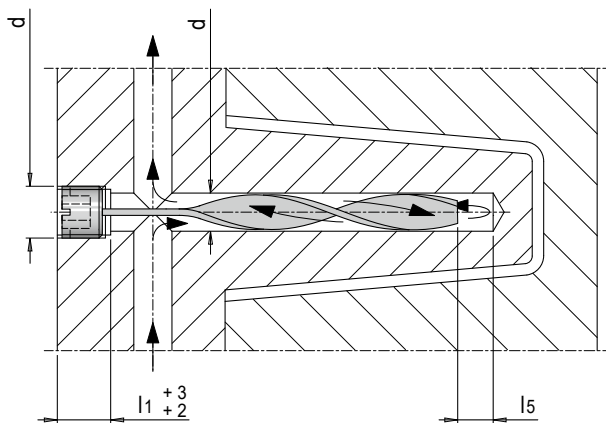
E 2102

t max. = 160°C



E 2103

s	SW	l1	l2	b	d1	l	Nr. / No.	Nr. / No.	
1.6	4	8	50	6	M 8 x 0,75	100	E 2102/ 8/100	E 2103/ 8/100	
			100			200	E 2102/ 8/200	E 2103/ 8/200	
	50		8	M10 x 1	100	E 2102/ 10/100	E 2103/ 10/100		
	100				200	E 2102/ 10/200	E 2103/ 10/200		
2.4	6	10	50	10	M12 x 1,5	125	E 2102/ 12/125	E 2103/ 12/125	
			100			250	E 2102/ 12/250	E 2103/ 12/250	
			50	12	M14 x 1,5	150	E 2102/ 14/150	E 2103/ 14/150	
			100			300	E 2102/ 14/300	E 2103/ 14/300	
	8	10	10	50	14	M16 x 1,5	150	E 2102/ 16/150	E 2103/ 16/150
				100			300	E 2102/ 16/300	E 2103/ 16/300
				50	16	M18 x 1,5	150	E 2102/ 18/150	E 2103/ 18/150
				100			300	E 2102/ 18/300	E 2103/ 18/300
	10	10	10	50	18	M20 x 1,5	150	E 2102/ 20/150	E 2103/ 20/150
				100			300	E 2102/ 20/300	E 2103/ 20/300
				50	20	M24 x 2	150	E 2102/ 24/150	E 2103/ 24/150
				100			300	E 2102/ 24/300	E 2103/ 24/300
3.2	12	12	50	20	M24 x 2	150	E 2102/ 24/150	E 2103/ 24/150	
1.6	5	8	50	8.5	G 1/8"	100	E 2102/1/8/100	E 2103/1/8/100	
			100			200	E 2102/1/8/200	E 2103/1/8/200	
2.4	7	10	50	11.5	G 1/4"	125	E 2102/1/4/125	E 2103/1/4/125	
			100			250	E 2102/1/4/250	E 2103/1/4/250	
	8	10	50	15	G 3/8"	150	E 2102/3/8/150	E 2103/3/8/150	
			100			300	E 2102/3/8/300	E 2103/3/8/300	
	10	10	75	18.5	G 1/2"	200	E 2102/1/2/200	E 2103/1/2/200	
			125			400	E 2102/1/2/400	E 2103/1/2/400	
3.2	12	12	100	23.5	G 3/4"	300	E 2102/3/4/300	E 2103/3/4/300	
			150			500	E 2102/3/4/500	E 2103/3/4/500	
			16	125	28	G 1 "	400		



d1	d5	l5
M 8 x 0,75	6	6
M10 x 1	8	8
M12 x 1,5	10	10
M14 x 1,5	12	12
M16 x 1,5	14	14
M18 x 1,5	16	16
M20 x 1,5	18	18
M24 x 2	20	20
G 1/8"	8.5	8
G 1/4"	11.5	11
G 3/8"	15	15
G 1/2"	18.5	18
G 3/4"	23.5	23
G 1 "	28	28