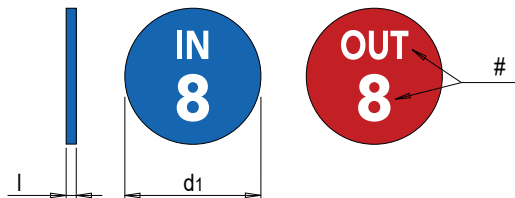


E 2030



Kennzeichnung für Kühlschlüsse

Marking chips for cooling connections



Mat.: PA6.6

t max. = 160°C

| Beschriftung / Labelling | l | d1 | Stk. / VPE Pcs. / PU | Nr. / No. | | | |
|--------------------------|----------------------|----|-------------------------|----------------------|----|---|----------------------|
| ● (2x) IN 1 - IN 4 | 2 | 15 | 8 | E 2030/15/ IN/ 1- 4 | | | |
| ● (2x) OUT 1 - OUT 4 | | | | E 2030/15/ OUT/ 1- 4 | | | |
| ● IN 1 - IN 8 | 2 | 18 | 8 | E 2030/15/ IN/ 1- 8 | | | |
| ● OUT 1 - OUT 8 | | | | E 2030/15/ OUT/ 1- 8 | | | |
| ● IN 9 - IN 16 | | | | E 2030/15/ IN/ 9-16 | | | |
| ● OUT 9 - OUT 16 | | | | E 2030/15/ OUT/ 9-16 | | | |
| ● IN 17 - IN 24 | | | | E 2030/15/ IN/17-24 | | | |
| ● OUT 17 - OUT 24 | | | | E 2030/15/ OUT/17-24 | | | |
| ● IN 25 - IN 32 | | | | E 2030/15/ IN/25-32 | | | |
| ● OUT 25 - OUT 32 | | | | E 2030/15/ OUT/25-32 | | | |
| ● IN 33 - IN 44 | | | | E 2030/15/ IN/33-40 | | | |
| ● OUT 33 - OUT 40 | | | | E 2030/15/ OUT/33-40 | | | |
| ● IN 41 - IN 48 | | | | E 2030/15/ IN/41-48 | | | |
| ● OUT 41 - OUT 48 | | | | E 2030/15/ OUT/41-48 | | | |
| ● IN 49 - IN 56 | | | | E 2030/15/ IN/49-56 | | | |
| ● OUT 49 - OUT 56 | | | | E 2030/15/ OUT/49-56 | | | |
| ● IN 57 - IN 64 | | | | E 2030/15/ IN/57-64 | | | |
| ● OUT 57 - OUT 64 | | | | E 2030/15/ OUT/57-64 | | | |
| ● (2x) IN 1 - IN 4 | | | | 2 | 18 | 8 | E 2030/18/ IN/ 1- 4 |
| ● (2x) OUT 1 - OUT 4 | | | | | | | E 2030/18/ OUT/ 1- 4 |
| ● IN 1 - IN 8 | | | | | | | E 2030/18/ IN/ 1- 8 |
| ● OUT 1 - OUT 8 | | | | | | | E 2030/18/ OUT/ 1- 8 |
| ● IN 9 - IN 16 | | | | | | | E 2030/18/ IN/ 9-16 |
| ● OUT 9 - OUT 16 | | | | | | | E 2030/18/ OUT/ 9-16 |
| ● IN 17 - IN 24 | | | | | | | E 2030/18/ IN/17-24 |
| ● OUT 17 - OUT 24 | | | | | | | E 2030/18/ OUT/17-24 |
| ● IN 25 - IN 32 | | | | | | | E 2030/18/ IN/25-32 |
| ● OUT 25 - OUT 32 | | | | | | | E 2030/18/ OUT/25-32 |
| ● IN 33 - IN 40 | | | | | | | E 2030/18/ IN/33-40 |
| ● OUT 33 - OUT 40 | | | | | | | E 2030/18/ OUT/33-40 |
| ● IN 41 - IN 48 | E 2030/18/ IN/41-48 | | | | | | |
| ● OUT 41 - OUT 48 | E 2030/18/ OUT/41-48 | | | | | | |
| ● IN 49 - IN 56 | E 2030/18/ IN/49-56 | | | | | | |
| ● OUT 49 - OUT 56 | E 2030/18/ OUT/49-56 | | | | | | |
| ● IN 57 - IN 64 | E 2030/18/ IN/57-64 | | | | | | |
| ● OUT 57 - OUT 64 | E 2030/18/ OUT/57-64 | | | | | | |

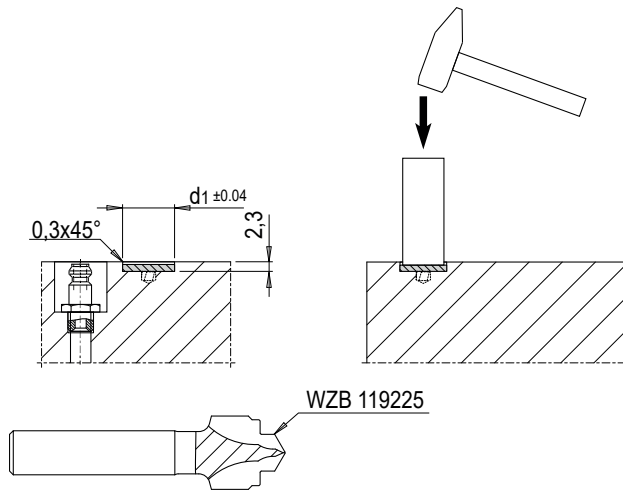


- » Zur professionellen und hochwertigen Beschriftung von Temperierkreisläufen
- » Ideal in Kombination mit Temperierschema auf Typenschild E 191..

- » For the professional, high-quality marking of cooling circuits
- » Ideal for use with the cooling circuit diagrams on labels E 191..



EINBAU INSTALLATION



ORIGINALGRÖSSE M 1:1
ORIGINAL SIZE M 1:1

$d1 = 15$

$d1 = 18$



INDIVIDUELL BEDRUCKT: E 2030S
CUSTOMIZED PRINTED: E 2030S

