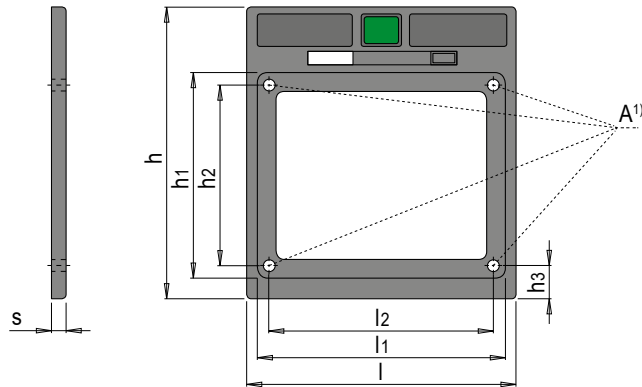


E 19180



## Statusanzeiger für Typenschild

Combined status indicator and label holder



Farben / colours:

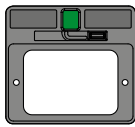


t max. = 100°C

Mat.: PA6

h	h2	h3	l	l2	s	A <sup>1)</sup>	h1	l1	Nr. / No.
67	-	23.5	74	62	3	2	43	70	E 19180/ 43x 70
104	70	7	104	90	3	4	80	100	E 19180/ 80x100

1) Anzahl Schraubenbohrungen / Number of screw holes



43x70

80x100



43x70 | 70x43

80x100 | 100x80

