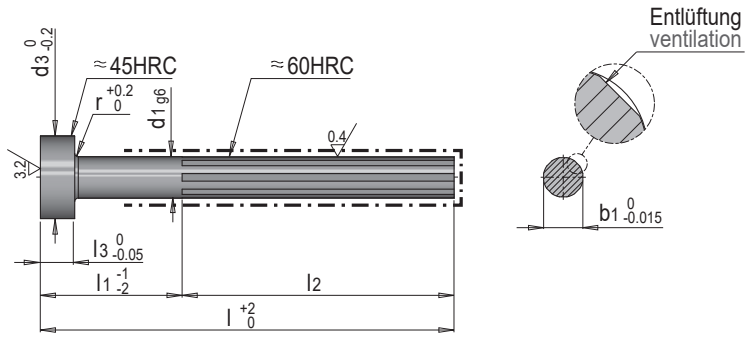


E 1770 DLC



Auswerferstift zur Entlüftung, gehärtet, mit DLC-Beschichtung

Ejector pin for ventilation, through-hardened, with DLC coating



Mat.: ~1.2210

DLC beschichtet
coated

r	n ¹⁾	l3	l1	l2	d3	b1	d1	l	Nr. / No.
0.2	4	1.2	30	70	2.5	0.97	1	100	E 1770 DLC/ 1 x 100
			75	125				200	E 1770 DLC/ 1 x 200
0.2	4	1.5	30	70	3	1.47	1.5	100	E 1770 DLC/ 1,5 x 100
			75	125				200	E 1770 DLC/ 1,5 x 200
0.2	4	2	30	70	4	1.96	2	100	E 1770 DLC/ 2 x 100
			60	100				160	E 1770 DLC/ 2 x 160
			75	125				200	E 1770 DLC/ 2 x 200
			75	125				250	E 1770 DLC/ 2 x 250
0.3	4	2	30	70	5	2.46	2.5	100	E 1770 DLC/ 2,5 x 100
			75	125				200	E 1770 DLC/ 2,5 x 200
0.3	6	3	30	70	6	2.96	3	100	E 1770 DLC/ 3 x 100
			60	100				160	E 1770 DLC/ 3 x 160
			75	125				200	E 1770 DLC/ 3 x 200
			75	125				250	E 1770 DLC/ 3 x 250
0.3	6	3	30	70	7	3.46	3.5	100	E 1770 DLC/ 3,5 x 100
			75	125				200	E 1770 DLC/ 3,5 x 200
0.3	6	3	30	70	8	3.96	4	100	E 1770 DLC/ 4 x 100
			60	100				160	E 1770 DLC/ 4 x 160
			75	125				200	E 1770 DLC/ 4 x 200
			75	125				250	E 1770 DLC/ 4 x 250

r	n ¹⁾	l3	l1	l2	d3	b1	d1	l	Nr. / No.
0.3	6	3	30	70	8	4.46	4.5	100	E 1770 DLC/ 4,5 x 100
			75	125				200	E 1770 DLC/ 4,5 x 200
0.3	8	3	30	70	10	4.96	5	100	E 1770 DLC/ 5 x 100
			60	100				160	E 1770 DLC/ 5 x 160
			75	125				200	E 1770 DLC/ 5 x 200
			75	125				250	E 1770 DLC/ 5 x 250
0.5	8	5	30	70	12	5.96	6	100	E 1770 DLC/ 6 x 100
			60	100				160	E 1770 DLC/ 6 x 160
			75	125				200	E 1770 DLC/ 6 x 200
			75	125				250	E 1770 DLC/ 6 x 250
0.5	8	5	30	70	14	7.96	8	100	E 1770 DLC/ 8 x 100
			60	100				160	E 1770 DLC/ 8 x 160
			75	125				200	E 1770 DLC/ 8 x 200
			75	125				250	E 1770 DLC/ 8 x 250
0.5	8	5	60	100	16	9.96	10	160	E 1770 DLC/10 x 160
			75	175				250	E 1770 DLC/10 x 250

1) n: Anzahl der Flächen / n: Number of surfaces

