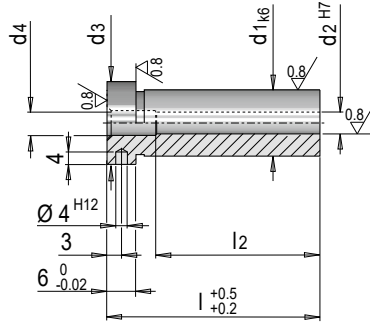


E 1664



Haltebuchse ohne Hinterschnitt, lange Führung

Sprue retainer without undercut, long guiding



Mat.: 1.2826 ≈ 58 HRC

l2	d4	d3	d2	d1	l	Nr. / No.
22	4.5	16	4	12	22	E 1664/12 x 22
27					27	E 1664/12 x 27
36					36	E 1664/12 x 36
46					46	E 1664/12 x 46
56					56	E 1664/12 x 56
66					66	E 1664/12 x 66
22	5.5	20	5	16	22	E 1664/16 x 22
27					27	E 1664/16 x 27
36					36	E 1664/16 x 36
46					46	E 1664/16 x 46
52					56	E 1664/16 x 56
66					66	E 1664/16 x 66
76					76	E 1664/16 x 76
22	6.5	22	6	18	22	E 1664/18 x 22
27					27	E 1664/18 x 27
36					36	E 1664/18 x 36
46					46	E 1664/18 x 46
56					56	E 1664/18 x 56
66					66	E 1664/18 x 66
76					76	E 1664/18 x 76
36	8.5	28	8	24	36	E 1664/24 x 36
46					46	E 1664/24 x 46
56					56	E 1664/24 x 56
66					66	E 1664/24 x 66
66					76	E 1664/24 x 76
					86	E 1664/24 x 86
					96	E 1664/24 x 96