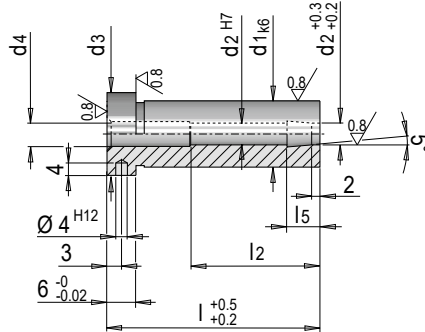


E 1660



Haltebuchse

Sprue retainer



Mat.: 1.2826 ≈ 58 HRC

l5	l2	d4	d3	d2	d1	l	Nr. / No.
7	20 18	4.5	16	4	12	20	E 1660/12 x 20
						22	E 1660/12 x 22
	25					E 1660/12 x 25	
	27					E 1660/12 x 27	
	32					E 1660/12 x 32	
	36					E 1660/12 x 36	
	40					E 1660/12 x 40	
	46					E 1660/12 x 46	
	50					E 1660/12 x 50	
	56					E 1660/12 x 56	
7	22 25 24	5.5	20	5	16	60	E 1660/12 x 60
						66	E 1660/12 x 66
	22					E 1660/16 x 22	
	25					E 1660/16 x 25	
	27					E 1660/16 x 27	
	32					E 1660/16 x 32	
	36					E 1660/16 x 36	
	40					E 1660/16 x 40	
	46					E 1660/16 x 46	
	50					E 1660/16 x 50	
7	22 25 27	6.5	22	6	18	56	E 1660/16 x 56
						60	E 1660/16 x 60
	66					E 1660/16 x 66	
	70					E 1660/16 x 70	
	76					E 1660/16 x 76	
	22					E 1660/18 x 22	
	25					E 1660/18 x 25	
	27					E 1660/18 x 27	
	32					E 1660/18 x 32	
	36					E 1660/18 x 36	
9.5	28	8.5	28	8	24	40	E 1660/18 x 40
						46	E 1660/18 x 46
						50	E 1660/18 x 50
						56	E 1660/18 x 56
						60	E 1660/18 x 60
						66	E 1660/18 x 66
						70	E 1660/18 x 70
						76	E 1660/18 x 76
						32	E 1660/24 x 32
						36	E 1660/24 x 36
9.5	28	8.5	28	8	24	40	E 1660/24 x 40
						46	E 1660/24 x 46
						50	E 1660/24 x 50
						56	E 1660/24 x 56
						60	E 1660/24 x 60
						66	E 1660/24 x 66
						70	E 1660/24 x 70
						76	E 1660/24 x 76
						86	E 1660/24 x 86
						96	E 1660/24 x 96