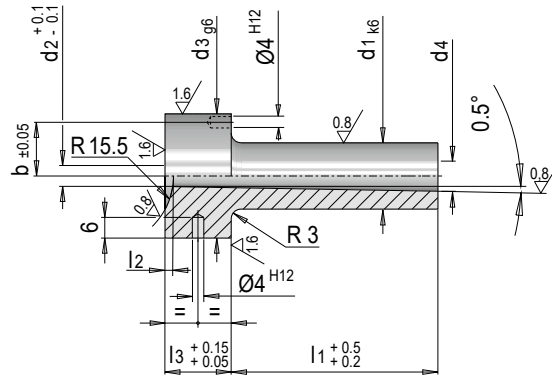


E 1625



Angussdüse 0,5° mit Radius 15,5

Sprue bush 0.5° with radius 15.5



Mat.: 1.2826 ≈ 54 HRC

b	l2	l3	d3	d4	d1	l1	d2	Nr. / No.
11	1.5	13	28	3.2	12	27	2.5	E 1625/12 x 27/2,5
				3.4		36		E 1625/12 x 36/2,5
				3.5		46		E 1625/12 x 46/2,5
				3.7		56		E 1625/12 x 56/2,5
				3.9		66		E 1625/12 x 66/2,5
				4.1		76		E 1625/12 x 76/2,5
11	1.5	13	28	4.2	12	27	3.5	E 1625/12 x 27/3,5
				4.4		36		E 1625/12 x 36/3,5
				4.5		46		E 1625/12 x 46/3,5
				4.7		56		E 1625/12 x 56/3,5
				4.9		66		E 1625/12 x 66/3,5
				5.1		76		E 1625/12 x 76/3,5
15	3	18	38	4	18	46	3	E 1625/18 x 46/3
				4.2		56		E 1625/18 x 56/3
				4.4		66		E 1625/18 x 66/3
				4.6		76		E 1625/18 x 76/3
				4.7		86		E 1625/18 x 86/3
				4.9		96		E 1625/18 x 96/3
15	3	18	38	5.3	18	116	4	E 1625/18 x 116/3
				5.7		136		E 1625/18 x 136/3
				5		46		E 1625/18 x 46/4
				5.2		56		E 1625/18 x 56/4
				5.4		66		E 1625/18 x 66/4
				5.6		76		E 1625/18 x 76/4
15	3	18	38	5.7	18	86	4	E 1625/18 x 86/4
				5.9		96		E 1625/18 x 96/4
				6.3		116		E 1625/18 x 116/4
				6.7		136		E 1625/18 x 136/4

