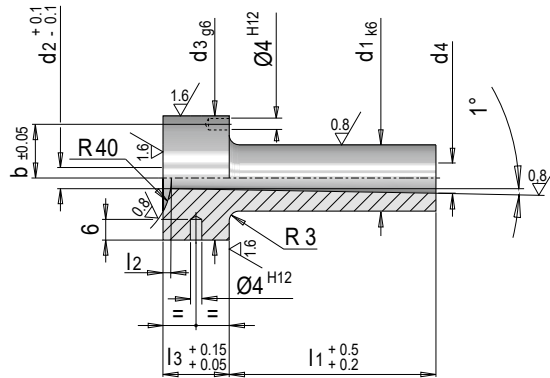


E 1610



Angussdüse 1° mit Radius 40

Sprue bush 1° with radius 40



Mat.: 1.2826 ≈ 54 HRC

b	l2	l3	d3	d4	d1	l1	d2	Nr. / No.
11	1.5	13	28	3.7	12	22	2.5	E 1610/12 x 22/2,5
				3.9		27		E 1610/12 x 27/2,5
				4.2		36		E 1610/12 x 36/2,5
				4.6		46		E 1610/12 x 46/2,5
				4.9		56		E 1610/12 x 56/2,5
				5.3		66		E 1610/12 x 66/2,5
				5.6		76		E 1610/12 x 76/2,5
				4.2		22		E 1610/12 x 22/3
				4.4		27		E 1610/12 x 27/3
				4.7		36		E 1610/12 x 36/3
11	1.5	13	28	5.1	12	46	3.5	E 1610/12 x 46/3
				5.4		56		E 1610/12 x 56/3
				5.8		66		E 1610/12 x 66/3
				6.1		76		E 1610/12 x 76/3
				4.7		22		E 1610/12 x 22/3,5
				4.9		27		E 1610/12 x 27/3,5
				5.2		36		E 1610/12 x 36/3,5
				5.6		46		E 1610/12 x 46/3,5
				5.9		56		E 1610/12 x 56/3,5
				6.3		66		E 1610/12 x 66/3,5
15	3	18	38	6.6	18	76	3	E 1610/12 x 76/3,5
				4.4		27		E 1610/18 x 27/3
				4.7		36		E 1610/18 x 36/3
				5.1		46		E 1610/18 x 46/3
				5.4		56		E 1610/18 x 56/3
				5.8		66		E 1610/18 x 66/3
				6.3		76		E 1610/18 x 76/3
				6.7		86		E 1610/18 x 86/3
				7		96		E 1610/18 x 96/3
				7.7		116		E 1610/18 x 116/3
15	3	18	38	8.4	18	136	4	E 1610/18 x 136/3
				5.4		27		E 1610/18 x 27/4
				5.7		36		E 1610/18 x 36/4
				6.1		46		E 1610/18 x 46/4
				6.4		56		E 1610/18 x 56/4
				6.8		66		E 1610/18 x 66/4
				7.3		76		E 1610/18 x 76/4
				7.7		86		E 1610/18 x 86/4
				8		96		E 1610/18 x 96/4
				8.7		116		E 1610/18 x 116/4
20	3	23	48	9.4	24	136	5	E 1610/18 x 136/4
				7.1		46		E 1610/24 x 46/5
				7.4		56		E 1610/24 x 56/5
				7.8		66		E 1610/24 x 66/5
				8.3		76		E 1610/24 x 76/5
				8.7		86		E 1610/24 x 86/5
				9		96		E 1610/24 x 96/5
				9.7		116		E 1610/24 x 116/5
				10.4		136		E 1610/24 x 136/5
				11.3		156		E 1610/24 x 156/5