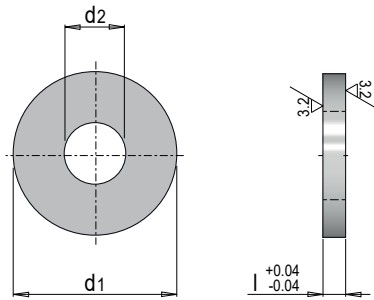


E 15681



Scheibe

Disc



Mat.: 1.7131 ≈ 60 HRC

d1	l	d2	Nr. / No.
17	3	6.4	E 15681/ 6,4
23	4	8.4	E 15681/ 8,4
26		10.5	E 15681/10,5
30	5	13	E 15681/13,0
35	6	17	E 15681/17,0
46	10	25	E 15681/25,0