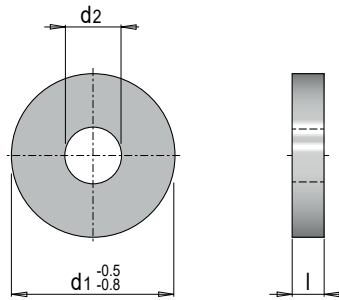


E 15663

Nachschleifscheibe

Regrinding disc



Mat.: 1.0501      ≈ 52 HRC

| d2   | l  | d1 | Nr. / No.  |
|------|----|----|------------|
| 6.5  | 8  | 20 | E 15663/20 |
| 8.5  |    | 25 | E 15663/25 |
| 10.5 |    | 32 | E 15663/32 |
| 12.5 | 10 | 40 | E 15663/40 |
| 16.5 |    | 50 | E 15663/50 |