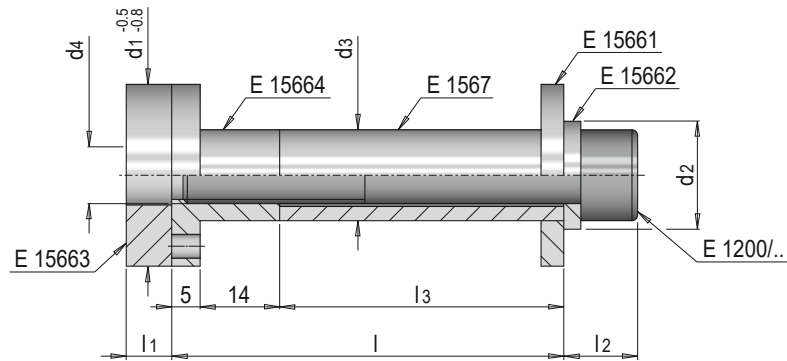


E 1566



Federvorspanneinheit

Spring pre-loading unit



d2	d3	d4	l1	l2	l3	E 1200/.. x ..	d1	l	Nr. / No.						
13	10	M 6	8	9	20	E 1200/ 6 x 35	20	39	E 1566/20 x 39						
					25	E 1200/ 6 x 40		44	E 1566/20 x 44						
					30	E 1200/ 6 x 45		49	E 1566/20 x 49						
					40	E 1200/ 6 x 60		59	E 1566/20 x 59						
					50	E 1200/ 6 x 70		69	E 1566/20 x 69						
					63	E 1200/ 6 x 80		82	E 1566/20 x 82						
					100	E 1200/ 6 x 120		119	E 1566/20 x 119						
					125	E 1200/ 6 x 140		144	E 1566/20 x 144						
					16	12.5		M 8	8	11	20	E 1200/ 8 x 35	25	39	E 1566/25 x 39
											25	E 1200/ 8 x 45		44	E 1566/25 x 44
30		49	E 1566/25 x 49												
40	E 1200/ 8 x 60	59	E 1566/25 x 59												
50	E 1200/ 8 x 70	69	E 1566/25 x 69												
63	E 1200/ 8 x 80	82	E 1566/25 x 82												
100	E 1200/ 8 x 120	119	E 1566/25 x 119												
125	E 1200/ 8 x 140	144	E 1566/25 x 144												
19	16	M10	10	13			25				E 1200/10 x 45	32		44	E 1566/32 x 44
							30				E 1200/10 x 50			49	E 1566/32 x 49
					40	E 1200/10 x 60	59	E 1566/32 x 59							
					50	E 1200/10 x 70	69	E 1566/32 x 69							
					63	E 1200/10 x 80	82	E 1566/32 x 82							
					100	E 1200/10 x 120	119	E 1566/32 x 119							
					125	E 1200/10 x 140	144	E 1566/32 x 144							
					23	20	M12	10	16	40	E 1200/12 x 60		40	59	E 1566/40 x 59
										50	E 1200/12 x 70			69	E 1566/40 x 69
										63	E 1200/12 x 80			82	E 1566/40 x 82
100	E 1200/12 x 120	119	E 1566/40 x 119												
125	E 1200/12 x 140	144	E 1566/40 x 144												
28	25	M16	10	20						50	E 1200/16 x 70	50		69	E 1566/50 x 69
					63	E 1200/16 x 80	82	E 1566/50 x 82							
					100	E 1200/16 x 120	119	E 1566/50 x 119							

E 1566/..	d1	l	Lo <sup>1)</sup>	V <sup>2)</sup>	E 1541		E 1542		E 1543		E 1544		E 1545		E 1546		
					S <sup>3)</sup>	F max. <sup>4)</sup>	S <sup>3)</sup>	F max. <sup>4)</sup>	S <sup>3)</sup>	F max. <sup>4)</sup>	S <sup>3)</sup>	F max. <sup>4)</sup>	S <sup>3)</sup>	F max. <sup>4)</sup>	S <sup>3)</sup>	F max. <sup>4)</sup>	
20 x 39	20	39	32	2	14	362	10.8	576	10	871	7.6	1613	6	1792	-	-	
20 x 44		44	38	3	16	353	12.2	547	11.2	795	8.4	1471	6.5	1682	-	-	
20 x 49		49	44	4	18	345	13.6	528	12.5	784	9.2	1478	7	1639	2.6	2983	
20 x 59		59	51	1	24.5	349	19.4	500	18.1	796	14.3	1438	11.7	1626	6.7	2911	
20 x 69		69	64	4	28	362	21.6	492	20	775	15.2	1384	12	1584	5.6	2890	
20 x 82		82	76	3	35	372	27.4	486	25.5	715	19.8	1361	16	1552	8.4	2816	
20 x 119		119	115	5	52.5	368	41	501	38.1	780	29.5	1325	23.7	1531	12.3	2751	
20 x 144		144	139	4	65.5	375	52	470	48.1	787	37.7	1293	30.7	1492	-	-	
25 x 39		25	39	32	2	14	675	10.8	1028	10	1416	7.6	2851	6	2992	-	-
25 x 44			44	38	3	16	680	12.2	942	11.3	1321	8.4	2497	6.5	2850	-	-
25 x 49	49		44	4	18	691	13.6	931	12.5	1333	9.2	2468	7	2684	2.6	7643	
25 x 59	59		51	1	24.5	689	19.4	898	18.1	1310	14.3	2387	11.7	2642	6.7	7184	
25 x 69	69		64	4	28	691	21.6	901	20	1272	15.2	2362	12	2576	5.6	6182	
25 x 82	82		76	3	35	688	27.4	851	25.5	1231	19.8	2257	16	2489	8.4	6338	
25 x 119	119		115	5	52.5	679	41	860	38.1	1207	29.5	2243	23.7	2460	12.3	6228	
25 x 144	144		139	4	65.5	667	52	857	48.1	1209	37.7	2198	30.7	2290	-	-	
32 x 44	32		44	38	3	16	819	12.2	1490	11.2	2627	8.4	4423	6.5	4560	-	-
32 x 49			49	44	4	18	821	13.6	1399	12.5	2607	9.2	4277	7	4290	2.6	8580
32 x 59		59	51	1	24.5	826	19.4	1367	18.1	2559	14.3	4162	11.7	4267	6.7	8855	
32 x 69		69	64	4	28	816	21.6	1357	20	2376	15.2	4070	12	4304	5.6	10339	
32 x 82		82	76	3	35	821	27.4	1338	25.5	2294	19.8	3922	16	4161	8.4	9964	
32 x 119		119	115	5	52.5	817	41	1334	38.1	2220	29.5	3692	23.7	4018	12.3	9688	
32 x 144		144	139	4	65.5	806	52	1288	48.1	2204	37.7	3586	30.7	3886	-	-	
40 x 59		40	59	51	2	23.5	1227	18.4	1877	17.1	3476	13.3	5355	10.7	7976	-	-
40 x 69			69	64	5	27	1254	20.6	1869	19	3360	14.2	5165	11	7792	4.6	10829
40 x 82			82	76	4	34	1265	26.4	1915	24.5	3078	18.8	4993	15	7201	7.4	11594
40 x 119	119		115	6	51.5	1271	40	1822	37.1	3095	28.5	4899	22.7	7032	11.3	11747	
40 x 144	144		139	5	64.5	1230	51	1792	47.1	2996	36.7	4796	29.7	6420	-	-	
50 x 69	50		69	64		27	2762	20.6	3994	19	5016	14.2	7930	11	11344	4.6	19008
50 x 82		82	76	4	34	2683	26.4	3800	24.4	4788	18.8	7729	15	10868	9.4	20645	
50 x 119		119	115	6	51.5	2651	40	3726	37.1	4569	28.5	7418	22.7	10102	11.3	18615	

1) Lo: Federlänge / Lo: Spring length

2) V: Vorspannung in mm / V: Preload in mm

3) S: Max. Hub der vorgespannten Feder in mm / S: Max. stroke of the preloaded spring in mm

4) F max.: Max. Federkraft in N / F max.: Max. spring power in N

