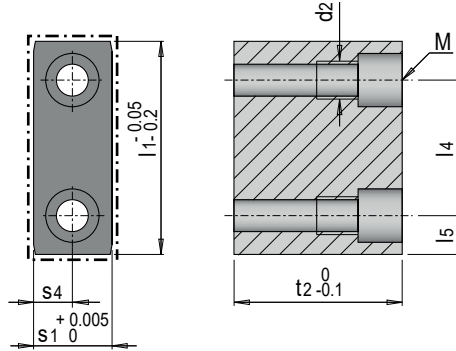


E 13212



Gleitplatte horizontal, zweiseitig

Gliding plate, horizontal, for double-sided use



Mat.: 1.2842    ≈ 58 HRC

--- DLC --- beschichtet  
coated

l4	l5	M	d2	s4	t2	s1	l1	Nr. / No.
9	6	M 4	M 5	5	19	10	21	E 13212/10 x 21
14							26	E 13212/10 x 26
18							34	E 13212/12 x 34
28	8	M 5	M 6	6	27	12	44	E 13212/12 x 44
28							44	E 13212/16 x 44
38							54	E 13212/16 x 54
28	13	M 8	M10	10	46	20	54	E 13212/20 x 54
38							64	E 13212/20 x 64
48							74	E 13212/25 x 74
58	13	M10	M12	12.5	60	25	84	E 13212/25 x 84
58							94	E 13212/32 x 94

