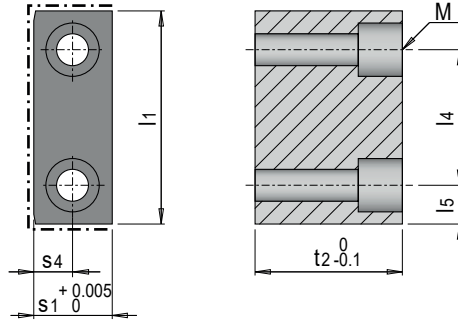


E 1321



Gleitplatte für Flachführung, horizontal

Gliding plate for flat guiding unit, horizontal



Mat.: 1.2842 ≈ 58 HRC

DLC beschichtet
coated

l1	l4	l5	M	s4	t2	s1	Nr. / No.
26	14	6	M 4	5	14.2	10	E 1321/10
34	18	8	M 5	6	22.3	12	E 1321/12
44	28	8	M 6	8	30.4	16	E 1321/16
62	38	12	M 8	10	38.7	20	E 1321/20
80	48	16	M10	12.5	51.1	25	E 1321/25
98	58	20	M12	16	71.5	32	E 1321/32

