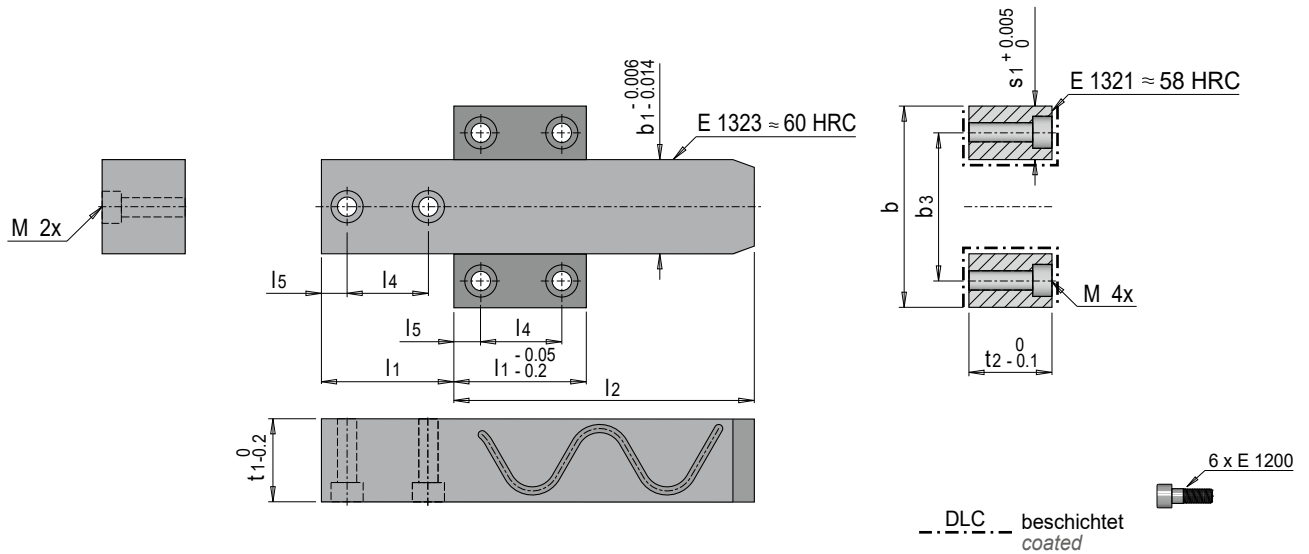


E 1320



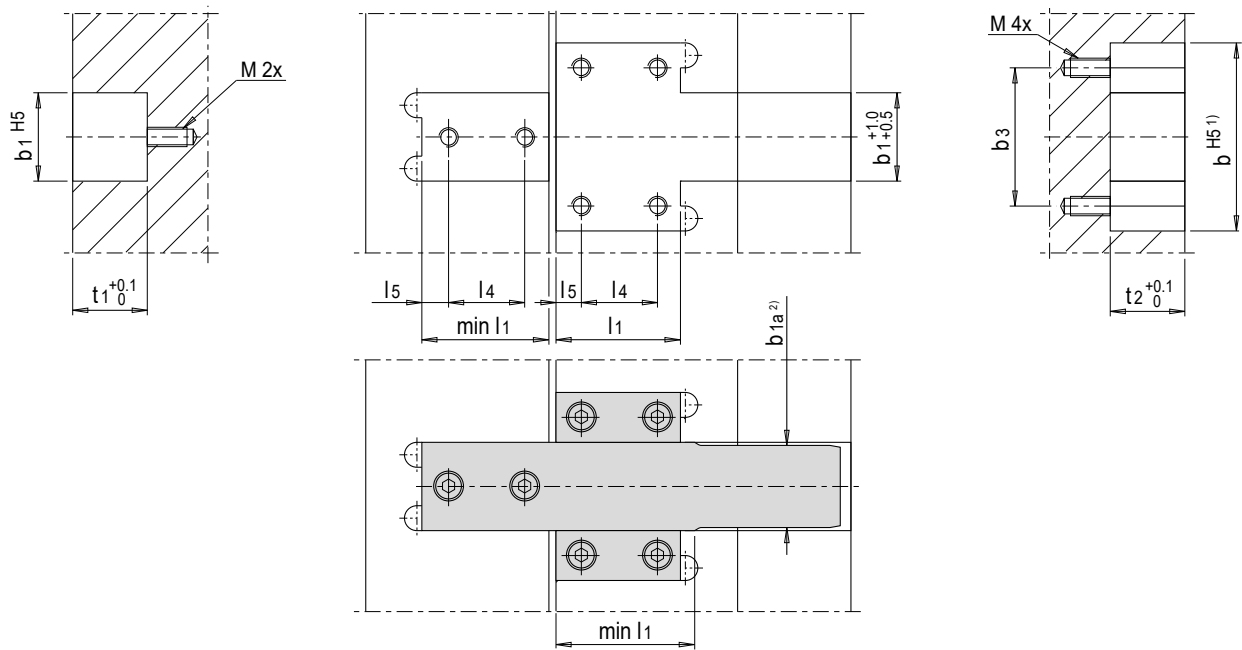
Flachführung mit Endzentrierung, horizontal

Flat guiding unit with final centring, horizontal



b	b3	l1	l4	l5	t1	t2	M	b1	s1	l2	Nr. / No.
36	26	26	14	6	14	14.2	M 4	16	10	44	E 1320/16/10/ 44
										54	E 1320/16/10/ 54
										64	E 1320/16/10/ 64
49	37	34	18	8	22	22.3	M 5	25	12	54	E 1320/25/12/ 54
										74	E 1320/25/12/ 74
										94	E 1320/25/12/ 94
64	48	44	28	12	30	30.4	M 6	32	16	54	E 1320/32/16/ 54
										94	E 1320/32/16/ 94
										134	E 1320/32/16/134
66	50	44	28	12	30	30.4	M 6	34	16	174	E 1320/32/16/174
										54	E 1320/34/16/ 54
										94	E 1320/34/16/ 94
84	64	62	38	12	38	38.7	M 8	44	20	134	E 1320/34/16/134
										174	E 1320/34/16/174
										74	E 1320/44/20/ 74
86	66	62	38	12	38	38.7	M 8	46	20	114	E 1320/44/20/114
										154	E 1320/44/20/154
										194	E 1320/44/20/194
108	83	80	48	16	50	51.1	M10	58	25	74	E 1320/46/20/ 74
										114	E 1320/46/20/114
										154	E 1320/46/20/154
110	85	80	48	16	50	51.1	M10	60	25	194	E 1320/46/20/194
										94	E 1320/58/25/ 94
										134	E 1320/58/25/134
142	110	98	58	20	70	71.5	M12	78	32	174	E 1320/58/25/174
										214	E 1320/58/25/214
										254	E 1320/58/25/254
144	112	98	58	20	70	71.5	M12	80	32	94	E 1320/60/25/ 94
										134	E 1320/60/25/134
										174	E 1320/60/25/174
144	112	98	58	20	70	71.5	M12	80	32	214	E 1320/60/25/214
										254	E 1320/60/25/254
										114	E 1320/78/32/114
144	112	98	58	20	70	71.5	M12	80	32	154	E 1320/78/32/154
										194	E 1320/78/32/194
										234	E 1320/78/32/234
144	112	98	58	20	70	71.5	M12	80	32	274	E 1320/78/32/274
										314	E 1320/78/32/314
										114	E 1320/80/32/114
144	112	98	58	20	70	71.5	M12	80	32	154	E 1320/80/32/154
										194	E 1320/80/32/194
										234	E 1320/80/32/234
144	112	98	58	20	70	71.5	M12	80	32	274	E 1320/80/32/274
										314	E 1320/80/32/314
										314	E 1320/80/32/314





1) b^{H5} : Bei Bedarf mit Schleifaufmaß fertigen / b^{H5} : Machine with allowance if required

2) $b_1 a$: Bei Bedarf Führungsspiel vergrößern / $b_1 a$: Provide for more play if required