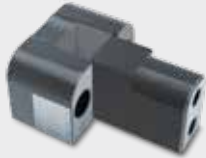
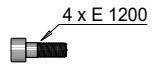
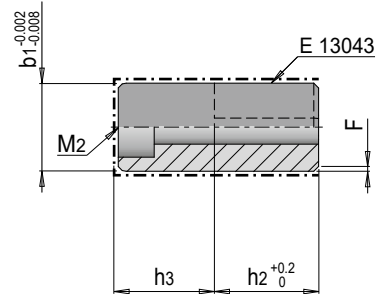
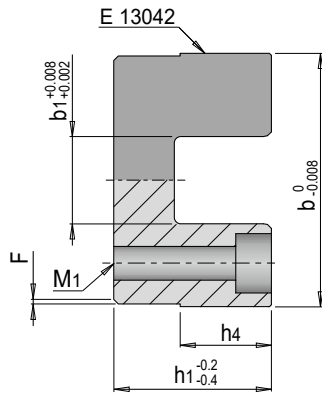
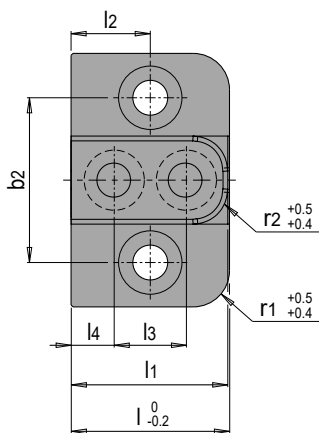


E 13045



Endzentrierung flach, kompakt

Top lock, compact



Mat.: 1.2162 ≈ 60 HRC

DLC beschichtet
coated

| F | l | b1 | h1 | l1 | M1 | r1 | b2 | h2 | l2 | M2 | r2 | h3 | l3 | h4 | l4 | b | Nr. / No. |
|-----|----|----|----|------|-----|----|----|----|----|-----|----|----|----|----|-------|-----------|------------|
| 0.7 | 18 | 10 | 18 | 17.5 | M 4 | 8 | 22 | 14 | 9 | M 3 | 4 | 12 | 9 | 11 | 4.25 | 34 | E 13045/34 |
| | 22 | 12 | 22 | 21.5 | M 5 | 10 | 26 | 16 | 11 | M 4 | 5 | 14 | 11 | 13 | 5.25 | 40 | E 13045/40 |
| 1.2 | 30 | 18 | 30 | 29.5 | M 6 | | 34 | 22 | 15 | M 6 | 6 | 18 | 15 | 17 | 7.25 | 50 | E 13045/50 |
| | 40 | 22 | 40 | 39.5 | M 8 | | 42 | 26 | 20 | M 8 | 8 | 24 | 18 | 23 | 10.75 | 64 | E 13045/64 |
| | 52 | 26 | 46 | 51.5 | | | 48 | 32 | 26 | | 10 | 28 | 25 | 27 | 13.25 | 72 | E 13045/72 |
| | 56 | 36 | 57 | 55.5 | M10 | | 66 | 44 | 28 | M10 | | 36 | 27 | 31 | 14.25 | 96 | E 13045/96 |

