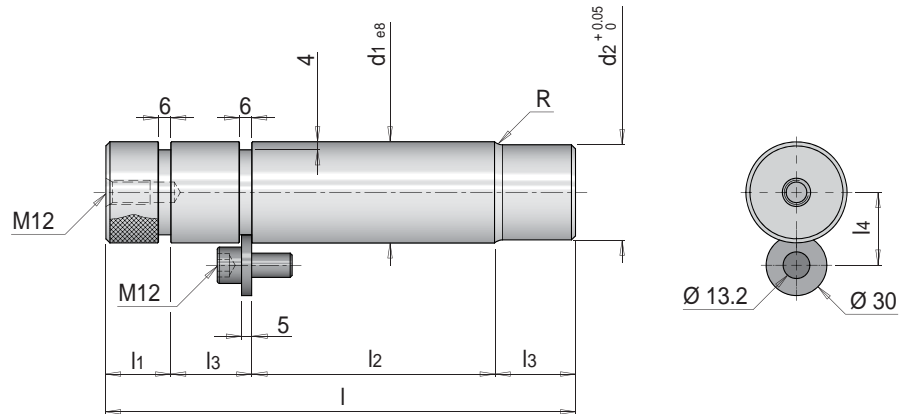


E 1295



Steckbolzen, Form 2,
VDI 3365

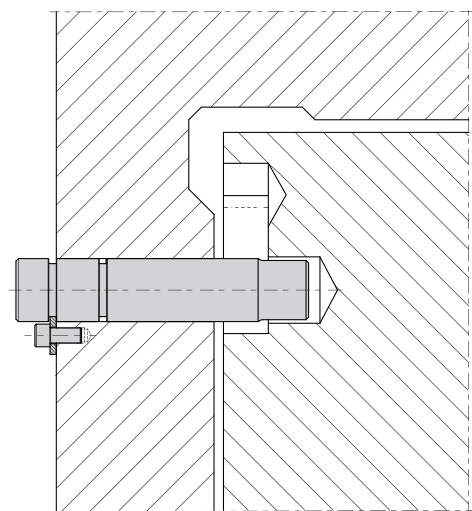
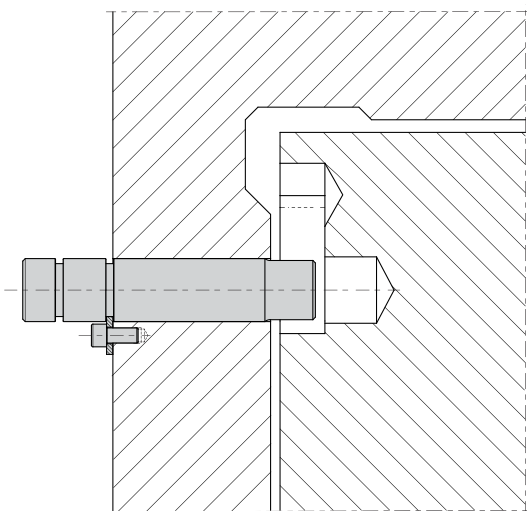
Locking pin, type 2,
VDI 3365



Mat.: 1.7225 $\approx 1000 \text{ N/mm}^2$

VDI 3365

F max.)* [kN]	R	l ₁	d ₂	l ₂	l ₃	l ₄	d ₁	l	Nr./No.
3	4	22	29	58	25	27	32	130	E 1295/ 32 x 130
				75				147	E 1295/ 32 x 147
5	5	32	37	75	32	31	40	171	E 1295/ 40 x 171
				95				191	E 1295/ 40 x 191
				120				207	E 1295/ 50 x 207
7.5	6		47	95	40	36	50	232	E 1295/ 50 x 232
120				252				E 1295/ 63 x 252	
12.5			60	120	50	42.5	63	287	E 1295/ 63 x 287
				155					



F max.)* Maximal zulässige Tragkraft pro Bolzen (dynamische Belastung)
Maximum permissible load capacity per bolt (dynamic load)