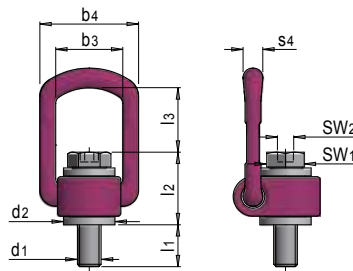

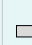




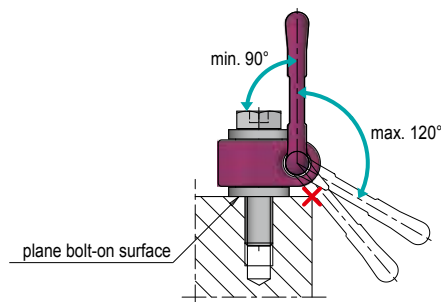


### PRODUCT DESCRIPTION

- » Loadable in any direction
- » Safety factor 4:1
- » Bolt is captive in the body
- » All load-bearing parts are 100% crack tested and proof load tested according to EN 1677



SW1	SW2	b3	b4	d2	l1	l2	l3	s4	d1	 max. kg	 max. kg	 max. kg	 max. kg	No.	EUR
13	5	34	54	24	11	35	40	12	<b>M 8</b>	630	630	1,260	880	E 1275/ 8	<>
17	6	34	54	24	15	36	39	12	<b>M10</b>	900	900	1,800	1,260	E 1275/10	<>
19	8	34	54	26	18	37	38	12	<b>M12</b>	1,350	1,350	2,700	1,900	E 1275/12	<>
24	10	36	56	30	22	46	39	13.5	<b>M16</b>	2,000	2,000	4,000	2,800	E 1275/16	<>
30	12	54	82	45	32	55	55	16.5	<b>M20</b>	3,500	3,500	7,000	4,900	E 1275/20	<>
36	14	54	82	45	37	58	67	18	<b>M24</b>	4,500	4,500	9,000	6,300	E 1275/24	<>
46	17	65	103	60	49	80	67	22.5	<b>M30</b>	6,700	6,700	13,400	9,400	E 1275/30	<>



Do not rotate under load!  
 Rotate in the direction of force before loading!