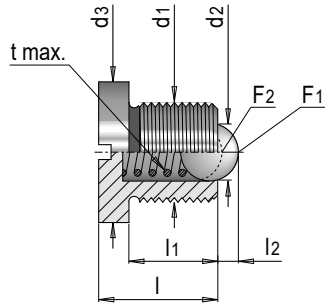


E 1260

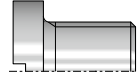


**Druckstück gefedert mit Bund**

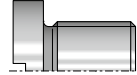
*Spring-loaded thrust piece with collar*



M 4 - M 5:



M 6 - M12:



Mat.: 1.0715

t max. = 350°C

F1 [N]	F2 [N]	l	l1	l2	d2	d3	d1	Nr. / No.
6	12	9	6.3	0.8	2.5	6	<b>M 4</b>	E 1260/ 4
9	14	12	8.3	0.9	3	8	<b>M 5</b>	E 1260/ 5
11	16	14	9	1	3.5	10	<b>M 6</b>	E 1260/ 6
18	30	16	11	1.5	5	13	<b>M 8</b>	E 1260/ 8
24	45	20	14	2	6	16	<b>M10</b>	E 1260/10
35	60	22	15	2.5	8	18	<b>M12</b>	E 1260/12