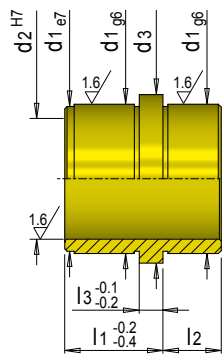


E 1121



Führungsbuchse für Stützbolzen, Messing

Brass guide bush for support pillar

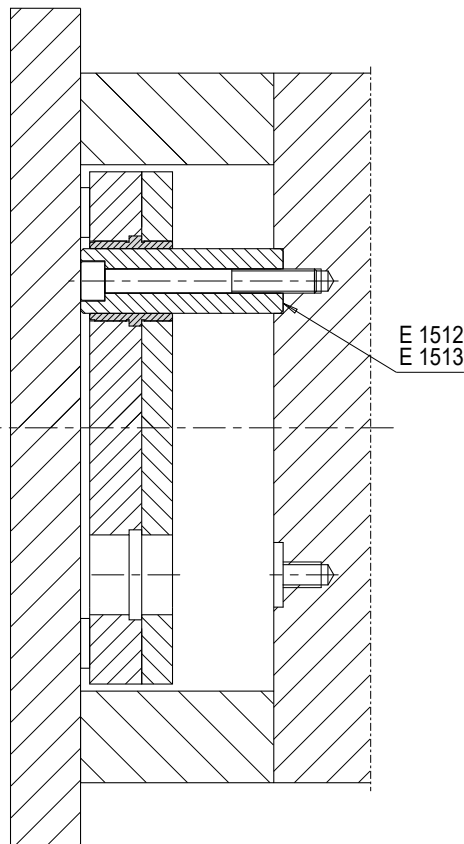


Mat.: 2.0598

≈ 200 HB

t max. = 200°C

d1	d3	l3	d2	l2	l1	Nr. / No.
32	36	5	24	9	17	E 1121/24 - 9/17
				12		E 1121/24 - 12/17
				6		E 1121/24 - 6/20
44	48	6	36	12	17	E 1121/36 - 12/17
				17		E 1121/36 - 12/22
				6	24	E 1121/36 - 6/24
				17		E 1121/36 - 17/22
58	62	6	48	17	22	E 1121/48 - 17/22
				10		E 1121/48 - 10/30
				10	27	E 1121/48 - 17/27



i Standardschmierung mit VGS 180
Standard lubrication with VGS 180