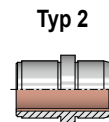
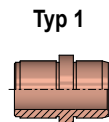
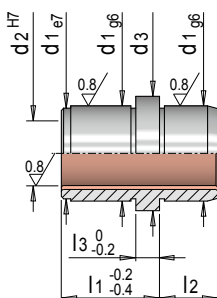


E 11206



Führungsbuchse für Auswerferpaket, mit wartungsfreier Sinterschicht

Guide bush for ejector set, self lubricating through sinter layer

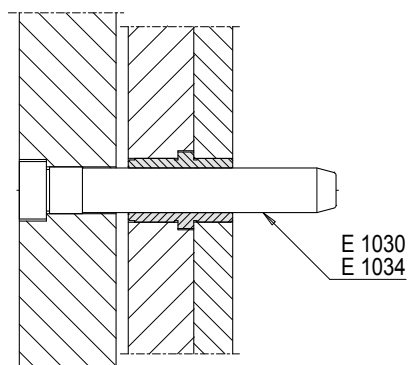


Mat.: 1.0503

≈ 50 HRC / Sint+MoS2

t max. = 250°C

Typ / Type	l3	d1	d3	d2	l2	l1	Nr. / No.
1	3	14	16	10	5	10	E 11206/10 - 5/10
					10		E 11206/10 - 10/10
1	6	16	19	12	9	17	E 11206/10 - 9/12
					12		E 11206/12 - 9/17
1	6	18	21	14	12	22	E 11206/12 - 12/17
					17		E 11206/14 - 12/22
1	6	24	27	18	12	27	E 11206/14 - 17/22
					17		E 11206/18 - 12/17
1	6	26	29	20	17	36	E 11206/18 - 12/22
					22		E 11206/18 - 17/22
1	6	28	31	22	17	46	E 11206/18 - 17/27
					22		E 11206/18 - 22/27
1	6	30	33	24	17	46	E 11206/20 - 17/22
					22		E 11206/20 - 22/27
2	6	38	41	30	22	46	E 11206/22 - 17/22
					27		E 11206/22 - 22/27
2	6	48	51	40	27	46	E 11206/24 - 17/22
					36		E 11206/24 - 17/27
2	6	48	51	40	36	46	E 11206/24 - 22/27
					36		E 11206/24 - 27/36
2	6	48	51	40	36	46	E 11206/30 - 22/27
					36		E 11206/30 - 27/36
2	6	48	51	40	36	46	E 11206/30 - 27/46
					36		E 11206/30 - 36/46
2	6	48	51	40	36	46	E 11206/40 - 36/46



**i** Nachschmieren mit VLS 250  
Relubricate with VLS 250