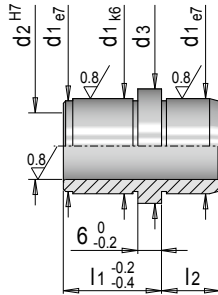


E 11202



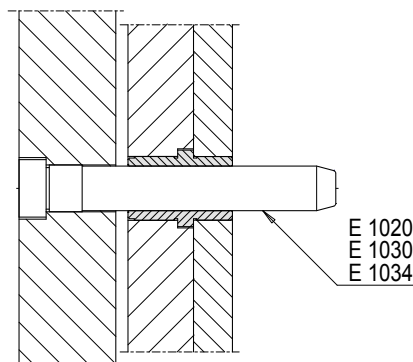
Führungsbuchse für Auswerferpaket

Guide bush for ejector set



Mat.: 1.7131 ≈ 60 HRC

d1	d3	d2	l2	l1	Nr. / No.
14	17	10	9	12	E 11202/10 - 9/12
				17	E 11202/10 - 9/17
16	19	12	9	17	E 11202/12 - 9/17
				12	E 11202/12 - 12/17
18	21	14	12	17	E 11202/14 - 12/17
				22	E 11202/14 - 12/22
24	27	18	17	17	E 11202/14 - 17/22
				12	E 11202/18 - 12/17
				22	E 11202/18 - 12/22
				27	E 11202/18 - 17/22
26	29	20	17	22	E 11202/18 - 17/27
				27	E 11202/18 - 22/27
				22	E 11202/20 - 17/22
				27	E 11202/20 - 22/27
28	31	22	17	22	E 11202/22 - 17/22
				27	E 11202/22 - 22/27
30	33	24	17	22	E 11202/24 - 22/27
				27	E 11202/24 - 17/22
				22	E 11202/24 - 17/27
				27	E 11202/24 - 22/27
38	41	30	22	36	E 11202/24 - 27/36
				27	E 11202/24 - 27/36
				27	E 11202/30 - 22/27
				36	E 11202/30 - 27/36
48	51	40	36	46	E 11202/30 - 27/46
				46	E 11202/30 - 36/46



**i** Standardschmierung mit VGS 180  
Standard lubrication with VGS 180