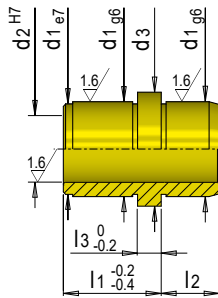


E 1120



Führungsbuchse für Auswerferpaket, Messing

Brass guide bush for ejector set

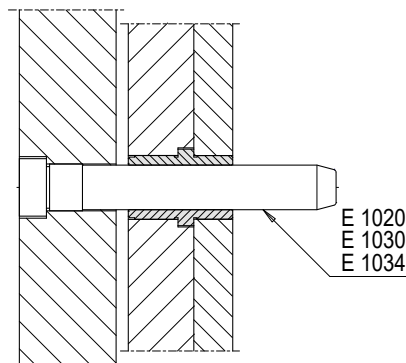


Mat.: 2.0598

≈ 200 HB

t max. = 200°C

l3	d1	d3	d2	l2	l1	Nr. / No.
3	14	16	10	5	10	E 1120/10 - 5/10
6		17		9	12	E 1120/10 - 9/12
				17	17	E 1120/10 - 9/17
3	16	16	12	10	10	E 1120/10 - 10/10
6		19		9	17	E 1120/12 - 9/17
				12		E 1120/12 - 12/17
6	18	21	14	12	17	E 1120/14 - 12/17
				22		E 1120/14 - 12/22
				17		E 1120/14 - 17/22
6	24	27	18	12	17	E 1120/18 - 12/17
				22		E 1120/18 - 12/22
				17		E 1120/18 - 17/22
				22	27	E 1120/18 - 17/27
				22	27	E 1120/18 - 22/27
6	26	29	20	17	22	E 1120/20 - 17/22
				22	27	E 1120/20 - 22/27
				22	27	E 1120/20 - 22/27
6	28	31	22	17	22	E 1120/22 - 17/22
				22	27	E 1120/22 - 22/27
				22	27	E 1120/22 - 22/27
6	30	33	24	17	22	E 1120/24 - 17/22
				27		E 1120/24 - 17/27
				22		E 1120/24 - 22/27
				27	36	E 1120/24 - 27/36
6	38	41	30	22	27	E 1120/30 - 22/27
				27	36	E 1120/30 - 27/36
				36	46	E 1120/30 - 27/46
				36	46	E 1120/30 - 36/46
6	48	51	40	36	46	E 1120/40 - 36/46
				36	46	E 1120/40 - 36/46



i Standardschmierung mit VGS 180
Standard lubrication with VGS 180