

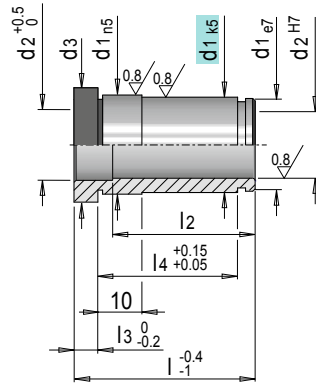
E 1110



Führungsbuchse ohne Zentrierbund

Guide bush without centring collar

- » Zwei Passdurchmesser für einfache Montage und festen Sitz
- » Inklusive Seegerring-Einstich für E 1575
- » Two fitting diameters for easy installation and a tight fit
- » With groove for the E 1575 Circlip

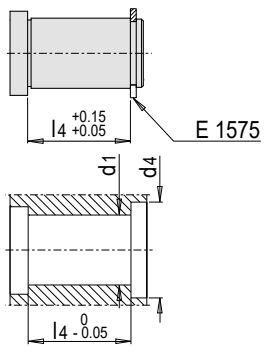


Mat.: 1.7131 ≈ 60 HRC

l2 ¹⁾	l3	l4	d3	d1	d2	l	Nr. / No.	d2	Nr. / No.	l2 ¹⁾	l3	l4	d3	d1	d2	l	Nr. / No.	d2	Nr. / No.	
-	3	5.5	16	14	9	12	E 1110/ 9 - 12	10	E 1110/10 - 12	-	6	23	47	42	30	36	E 1110/30 - 36	32	E 1110/32 - 36	
		10.5				17	E 1110/ 9 - 17		E 1110/10 - 17			33				46	E 1110/30 - 46		E 1110/32 - 46	
		15.5				22	E 1110/ 9 - 22		E 1110/10 - 22			43				56	E 1110/30 - 56		E 1110/32 - 56	
		20.5				27	E 1110/ 9 - 27		E 1110/10 - 27			53				66	E 1110/30 - 66		E 1110/32 - 66	
		29.5				36	E 1110/ 9 - 36		E 1110/10 - 36			63				76	E 1110/30 - 76		E 1110/32 - 76	
	22	39.5				46	E 1110/ 9 - 46		E 1110/10 - 46			73				86	E 1110/30 - 86		E 1110/32 - 86	
		49.5				56	E 1110/ 9 - 56		E 1110/10 - 56			83				96	E 1110/30 - 96		E 1110/32 - 96	
	-	-	23	18	12	12	E 1110/12 - 12	-		96	93					106	E 1110/30 - 106		E 1110/32 - 106	
		7				17	E 1110/12 - 17				103					116	E 1110/30 - 116		E 1110/32 - 116	
		12				22	E 1110/12 - 22				123					136	E 1110/30 - 136		E 1110/32 - 136	
		17				27	E 1110/12 - 27				143					156	E 1110/30 - 156		E 1110/32 - 156	
		26				36	E 1110/12 - 36				163					176	E 1110/30 - 176		E 1110/32 - 176	
	36	36				46	E 1110/12 - 46			-	10	18	59	54	40	36	E 1110/40 - 36	42	E 1110/42 - 36	
		46				56	E 1110/12 - 56				28					46	E 1110/40 - 46		E 1110/42 - 46	
	-	-	25	20	14	12	E 1110/14 - 12	15	E 1110/15 - 12			38				56	E 1110/40 - 56		E 1110/42 - 56	
		7				17	E 1110/14 - 17		E 1110/15 - 17			48				66	E 1110/40 - 66		E 1110/42 - 66	
		12				22	E 1110/14 - 22		E 1110/15 - 22			58				76	E 1110/40 - 76		E 1110/42 - 76	
		17				27	E 1110/14 - 27		E 1110/15 - 27			68				86	E 1110/40 - 86		E 1110/42 - 86	
		26				36	E 1110/14 - 36		E 1110/15 - 36			78				96	E 1110/40 - 96		E 1110/42 - 96	
		36				46	E 1110/14 - 46		E 1110/15 - 46			88				106	E 1110/40 - 106		E 1110/42 - 106	
	46	46				56	E 1110/14 - 56		E 1110/15 - 56			98				116	E 1110/40 - 116		E 1110/42 - 116	
		56				66	E 1110/14 - 66		E 1110/15 - 66		116	118				136	E 1110/40 - 136		E 1110/42 - 136	
		66				76	E 1110/14 - 76		E 1110/15 - 76			138				156	E 1110/40 - 156		E 1110/42 - 156	
		76				86	E 1110/14 - 86		E 1110/15 - 86			158				176	E 1110/40 - 176		E 1110/42 - 176	
		86				96	E 1110/14 - 96		E 1110/15 - 96			178				196	E 1110/40 - 196		E 1110/42 - 196	
	-	7	27	22	16	17	E 1110/16 - 17	-			198					216	E 1110/40 - 216		E 1110/42 - 216	
		12				22	E 1110/16 - 22				218					236	E 1110/40 - 236		E 1110/42 - 236	
		17				27	E 1110/16 - 27				228					246	E 1110/40 - 246		E 1110/42 - 246	
		26				36	E 1110/16 - 36				238					256	E 1110/40 - 256		E 1110/42 - 256	
		36				46	E 1110/16 - 46				-	10	38	71	66	50	56	E 1110/50 - 56	52	E 1110/52 - 56
		46				56	E 1110/16 - 56				48					66	E 1110/50 - 66		E 1110/52 - 66	
		56				66	E 1110/16 - 66				58					76	E 1110/50 - 76		E 1110/52 - 76	
		66				76	E 1110/16 - 76				68					86	E 1110/50 - 86		E 1110/52 - 86	
		76				86	E 1110/16 - 86				78					96	E 1110/50 - 96		E 1110/52 - 96	
		86				96	E 1110/16 - 96				98					116	E 1110/50 - 116		E 1110/52 - 116	
	-	7	31	26	18	17	E 1110/18 - 17	20	E 1110/20 - 17		116	118				136	E 1110/50 - 136		E 1110/52 - 136	
		12				22	E 1110/18 - 22		E 1110/20 - 22			138				156	E 1110/50 - 156		E 1110/52 - 156	
		17				27	E 1110/18 - 27		E 1110/20 - 27			158				176	E 1110/50 - 176		E 1110/52 - 176	
		26				36	E 1110/18 - 36		E 1110/20 - 36			178				196	E 1110/50 - 196		E 1110/52 - 196	
		36				46	E 1110/18 - 46		E 1110/20 - 46			198				216	E 1110/50 - 216		E 1110/52 - 216	
		46				56	E 1110/18 - 56		E 1110/20 - 56			218				236	E 1110/50 - 236		E 1110/52 - 236	
		56				66	E 1110/18 - 66		E 1110/20 - 66			228				246	E 1110/50 - 246		E 1110/52 - 246	
		66				76	E 1110/18 - 76		E 1110/20 - 76			238				256	E 1110/50 - 256		E 1110/52 - 256	
		76				86	E 1110/18 - 86		E 1110/20 - 86		-	20	38	85	80	60	66	E 1110/60 - 66	-	
		86				96	E 1110/18 - 96		E 1110/20 - 96			48				76	E 1110/60 - 76			
		96				106	E 1110/18 - 106		E 1110/20 - 106			58				86	E 1110/60 - 86			
		106				116	E 1110/18 - 116		E 1110/20 - 116			68				96	E 1110/60 - 96			
	-	11	35	30	22	22	E 1110/22 - 22	24	E 1110/24 - 22			88				116	E 1110/60 - 116			
		16				27	E 1110/22 - 27		E 1110/24 - 27			108				136	E 1110/60 - 136			
		25				36	E 1110/22 - 36		E 1110/24 - 36		136	128				156	E 1110/60 - 156			
		35				46	E 1110/22 - 46		E 1110/24 - 46											
		45				56	E 1110/22 - 56		E 1110/24 - 56											
		55				66	E 1110/22 - 66		E 1110/24 - 66											
		65				76	E 1110/22 - 76		E 1110/24 - 76											
	76	75				86	E 1110/22 - 86		E 1110/24 - 86											
		85				96	E 1110/22 - 96		E 1110/24 - 96											
		95				106	E 1110/22 - 106		E 1110/24 - 106											
		105				116	E 1110/22 - 116		E 1110/24 - 116											
		125				136	E 1110/22 - 136		E 1110/24 - 136											
		145				156	E 1110/22 - 156		E 1110/24 - 156											
	-	6	14	47	42	30	27	32	E 1110/32 - 27											

1) l2: Ist keine Angabe für l2 (-) in der Tabelle vorhanden, gilt d2 H7 über die gesamte Buchsenlänge. / l2: If there is no specification for l2 (-) in the table, d2 H7 applies to the entire bush length of the guide bush.





d1	d4	E 1575
14	22	E 1575/14
18	26.8	E 1575/18
20	29	E 1575/20
22	30.8	E 1575/22
26	35.5	E 1575/26
30	40.5	E 1575/30
42	55.7	E 1575/42
54	69.2	E 1575/54
66	82.4	E 1575/65
80	98.1	E 1575/80

i Standardschmierung mit VGS 180
Standard lubrication with VGS 180