

E 1100

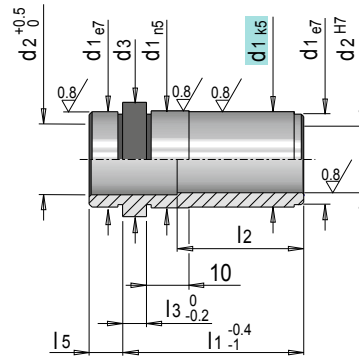


Führungsbuche mit Zentrierbund

Guide bush with centring collar

» Zwei Passdurchmesser für einfache Montage und festen Sitz

» Two fitting diameters for easy installation and a tight fit



Mat.: 1.7131 ≈ 60 HRC

l2 ¹⁾	l3	l5	d3	d1	d2	l1	Nr. / No.	d2	Nr. / No.	l2 ¹⁾	l3	l5	d3	d1	d2	l1	Nr. / No.	d2	Nr. / No.
-	3	3	16	14	9	12	E 1100/ 9 - 12	10	E 1100/10 - 12	-	10	12	59	54	40	46	E 1100/40 - 46	42	E 1100/42 - 46
						17	E 1100/ 9 - 17		E 1100/10 - 17							56	E 1100/40 - 56		E 1100/42 - 56
						22	E 1100/ 9 - 22		E 1100/10 - 22							66	E 1100/40 - 66		E 1100/42 - 66
						27	E 1100/ 9 - 27		E 1100/10 - 27							76	E 1100/40 - 76		E 1100/42 - 76
						36	E 1100/ 9 - 36		E 1100/10 - 36							86	E 1100/40 - 86		E 1100/42 - 86
22						46	E 1100/ 9 - 46		E 1100/10 - 46							96	E 1100/40 - 96		E 1100/42 - 96
						56	E 1100/ 9 - 56		E 1100/10 - 56							106	E 1100/40 - 106		E 1100/42 - 106
-	6	9	25	20	14	17	E 1100/14 - 17	15	E 1100/15 - 17	116					116	E 1100/40 - 116		E 1100/42 - 116	
						22	E 1100/14 - 22		E 1100/15 - 22							136	E 1100/40 - 136		E 1100/42 - 136
						27	E 1100/14 - 27		E 1100/15 - 27							156	E 1100/40 - 156		E 1100/42 - 156
						36	E 1100/14 - 36		E 1100/15 - 36							176	E 1100/40 - 176		E 1100/42 - 176
						46	E 1100/14 - 46		E 1100/15 - 46							196	E 1100/40 - 196		E 1100/42 - 196
46						56	E 1100/14 - 56		E 1100/15 - 56							216	E 1100/40 - 216		E 1100/42 - 216
						66	E 1100/14 - 66		E 1100/15 - 66							236	E 1100/40 - 236		E 1100/42 - 236
						76	E 1100/14 - 76		E 1100/15 - 76							246	E 1100/40 - 246		E 1100/42 - 246
						86	E 1100/14 - 86		E 1100/15 - 86							256	E 1100/40 - 256		E 1100/42 - 256
						96	E 1100/14 - 96		E 1100/15 - 96										
-	6	9	31	26	18	17	E 1100/18 - 17	20	E 1100/20 - 17	-	10	12	71	66	50	56	E 1100/50 - 56	52	E 1100/52 - 56
						22	E 1100/18 - 22		E 1100/20 - 22							66	E 1100/50 - 66		E 1100/52 - 66
						27	E 1100/18 - 27		E 1100/20 - 27							76	E 1100/50 - 76		E 1100/52 - 76
						36	E 1100/18 - 36		E 1100/20 - 36							86	E 1100/50 - 86		E 1100/52 - 86
						46	E 1100/18 - 46		E 1100/20 - 46							96	E 1100/50 - 96		E 1100/52 - 96
						56	E 1100/18 - 56		E 1100/20 - 56	116						116	E 1100/50 - 116		E 1100/52 - 116
56						66	E 1100/18 - 66		E 1100/20 - 66							136	E 1100/50 - 136		E 1100/52 - 136
						76	E 1100/18 - 76		E 1100/20 - 76							156	E 1100/50 - 156		E 1100/52 - 156
						86	E 1100/18 - 86		E 1100/20 - 86							176	E 1100/50 - 176		E 1100/52 - 176
						96	E 1100/18 - 96		E 1100/20 - 96							196	E 1100/50 - 196		E 1100/52 - 196
						106	E 1100/18 - 106		E 1100/20 - 106							216	E 1100/50 - 216		E 1100/52 - 216
						116	E 1100/18 - 116		E 1100/20 - 116							236	E 1100/50 - 236		E 1100/52 - 236
						126	E 1100/18 - 126		E 1100/20 - 126							256	E 1100/50 - 256		E 1100/52 - 256
						136	E 1100/18 - 136		E 1100/20 - 136										
-	6	9	35	30	22	22	E 1100/22 - 22	24	E 1100/24 - 22										
						27	E 1100/22 - 27		E 1100/24 - 27										
						36	E 1100/22 - 36		E 1100/24 - 36										
						46	E 1100/22 - 46		E 1100/24 - 46										
						56	E 1100/22 - 56		E 1100/24 - 56										
						66	E 1100/22 - 66		E 1100/24 - 66										
						76	E 1100/22 - 76		E 1100/24 - 76										
76						86	E 1100/22 - 86		E 1100/24 - 86										
						96	E 1100/22 - 96		E 1100/24 - 96										
						106	E 1100/22 - 106		E 1100/24 - 106										
						116	E 1100/22 - 116		E 1100/24 - 116										
						126	E 1100/22 - 126		E 1100/24 - 126										
						136	E 1100/22 - 136		E 1100/24 - 136										
						156	E 1100/22 - 156		E 1100/24 - 156										
-	6	9	47	42	30	27	E 1100/30 - 27	32	E 1100/32 - 27										
						36	E 1100/30 - 36		E 1100/32 - 36										
						46	E 1100/30 - 46		E 1100/32 - 46										
						56	E 1100/30 - 56		E 1100/32 - 56										
						66	E 1100/30 - 66		E 1100/32 - 66										
						76	E 1100/30 - 76		E 1100/32 - 76										
						86	E 1100/30 - 86		E 1100/32 - 86										
						96	E 1100/30 - 96		E 1100/32 - 96										
						106	E 1100/30 - 106		E 1100/32 - 106										
96						116	E 1100/30 - 116		E 1100/32 - 116										
						126	E 1100/30 - 126		E 1100/32 - 126										
						136	E 1100/30 - 136		E 1100/32 - 136										
						156	E 1100/30 - 156		E 1100/32 - 156										
						176	E 1100/30 - 176		E 1100/32 - 176										
						196	E 1100/30 - 196		E 1100/32 - 196										
-	10	12	59	54	40	36	E 1100/40 - 36	42	E 1100/42 - 36										

1) l2: Ist keine Angabe für l2 (-) in der Tabelle vorhanden, gilt d2 H7 über die gesamte Buchsenlänge. / l2: If there is no specification for l2 (-) in the table, d2 H7 applies to the entire bush length of the guide bush.

i Standardschmierung mit VGS 180
Standard lubrication with VGS 180