

## E 1020

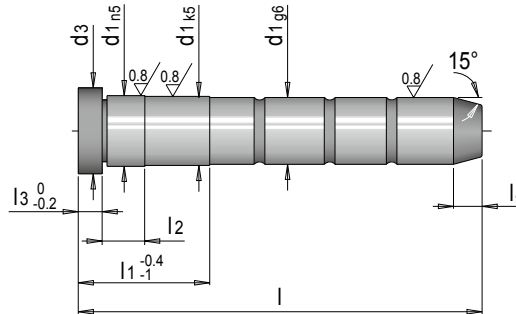


### Führungsbolzen mit zwei Passdurchm. und Schmiernuten

Guide bolt with two fitting diameters and oil grooves

» Zwei Passdurchmesser für einfache Montage und festen Sitz

» Two fitting diameters enabling easy installation and ensuring a tight fit



Mat.: 1.7131      ≈ 60 HRC

d3	l4	l3	l2	l1	d1	l	Nr. / No.
12	4	3	6	17	9	40	E 1020/ 9 x 40
						60	E 1020/ 9 x 60
						80	E 1020/ 9 x 80
						100	E 1020/ 9 x 100
						120	E 1020/ 9 x 120
12	4	3	6	17	10	40	E 1020/10 x 40
						60	E 1020/10 x 60
						80	E 1020/10 x 80
						100	E 1020/10 x 100
						120	E 1020/10 x 120
15	5	6	6	22	12	60	E 1020/12 x 60
						80	E 1020/12 x 80
						100	E 1020/12 x 100
						120	E 1020/12 x 120
						140	E 1020/12 x 140
17	5	6	6	22	14	60	E 1020/14 x 60
						80	E 1020/14 x 80
						100	E 1020/14 x 100
						120	E 1020/14 x 120
						140	E 1020/14 x 140
18	5	6	6	22	15	60	E 1020/15 x 60
						80	E 1020/15 x 80
						100	E 1020/15 x 100
						120	E 1020/15 x 120
						140	E 1020/15 x 140
19	5	6	6	22	16	80	E 1020/16 x 80
						100	E 1020/16 x 100
						120	E 1020/16 x 120
						140	E 1020/16 x 140
						160	E 1020/16 x 160
21	7	6	6	22	18	80	E 1020/18 x 80
						100	E 1020/18 x 100
						120	E 1020/18 x 120
						140	E 1020/18 x 140
						160	E 1020/18 x 160
23	7	6	6	22	20	80	E 1020/20 x 80
						100	E 1020/20 x 100
						120	E 1020/20 x 120
						140	E 1020/20 x 140
						160	E 1020/20 x 160
25	7	6	10	27	22	100	E 1020/22 x 100
						120	E 1020/22 x 120
						140	E 1020/22 x 140
						160	E 1020/22 x 160
						180	E 1020/22 x 180

d3	l4	l3	l2	l1	d1	l	Nr. / No.
25	7	6	10	46	22	320	E 1020/22 x 320
27	7	6	10	27	24	100	E 1020/24 x 100
						120	E 1020/24 x 120
35	7	6	10	36	30	140	E 1020/24 x 140
						160	E 1020/24 x 160
						180	E 1020/24 x 180
						200	E 1020/24 x 200
						220	E 1020/24 x 220
						250	E 1020/24 x 250
						280	E 1020/24 x 280
						320	E 1020/24 x 320
						120	E 1020/30 x 120
						140	E 1020/30 x 140
37	7	6	10	36	32	160	E 1020/30 x 160
						180	E 1020/30 x 180
						200	E 1020/30 x 200
						220	E 1020/30 x 220
						250	E 1020/30 x 250
						280	E 1020/30 x 280
						320	E 1020/30 x 320
						360	E 1020/30 x 360
						400	E 1020/30 x 400
						120	E 1020/32 x 120
45	10	10	15	46	40	140	E 1020/32 x 140
						160	E 1020/32 x 160
						180	E 1020/32 x 180
						200	E 1020/32 x 200
						220	E 1020/32 x 220
						250	E 1020/32 x 250
						280	E 1020/32 x 280
						320	E 1020/32 x 320
						360	E 1020/32 x 360
						400	E 1020/32 x 400
47	10	10	15	46	42	160	E 1020/40 x 160
						180	E 1020/40 x 180
						200	E 1020/40 x 200
						220	E 1020/40 x 220
						250	E 1020/40 x 250
						280	E 1020/40 x 280
						320	E 1020/40 x 320
						360	E 1020/40 x 360
						400	E 1020/40 x 400
						160	E 1020/42 x 160
55	10	10	15	56	50	180	E 1020/42 x 180
						200	E 1020/42 x 200
						220	E 1020/42 x 220
						250	E 1020/42 x 250
						280	E 1020/42 x 280
						320	E 1020/42 x 320
						360	E 1020/42 x 360
						400	E 1020/42 x 400
						450	E 1020/42 x 450
						500	E 1020/42 x 500
200	E 1020/50 x 200						
250	E 1020/50 x 250						
280	E 1020/50 x 280						
320	E 1020/50 x 320						
360	E 1020/50 x 360						
400	E 1020/50 x 400						



d3	l4	l3	l2	l1	d1	l	Nr. / No.
55	10	10	15	76	50	450	E 1020/50 x 450
						500	E 1020/50 x 500
				86		550	E 1020/50 x 550
57	10	10	15	56	52	200	E 1020/52 x 200
						250	E 1020/52 x 250
						280	E 1020/52 x 280
						320	E 1020/52 x 320
				66		360	E 1020/52 x 360
						400	E 1020/52 x 400
						450	E 1020/52 x 450
						500	E 1020/52 x 500
68	10	10	15	66	60	250	E 1020/60 x 250
						280	E 1020/60 x 280
				76		320	E 1020/60 x 320
						360	E 1020/60 x 360
						400	E 1020/60 x 400
86	500	E 1020/60 x 500					

