

MEHR FLEXIBILITÄT UND PLATZ - SMARTFILL 17 MM

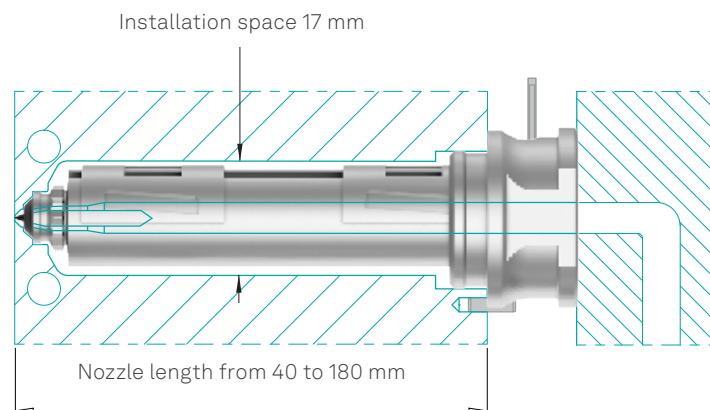
MORE FLEXIBILITY AND SPACE - SMARTFILL 17 MM

Die neue smartFILL 17 mm von Meusburger bietet Ihnen noch mehr Flexibilität und Platz. Erleben Sie die Vorteile dieser innovativen Düsenerweiterung für Ihr kundenspezifisches System.

- » Düse, smartFILL geschraubt EH 4100
- » Düse, smartFILL schiebedicht EH 4150

The new smartFILL 17 mm from Meusburger offers you even more flexibility and space. Experience the benefits of this innovative nozzle extension for your customised system.

- » Nozzle, smartFILL screw-in type EH 4100
- » Nozzle, smartFILL slide seal EH 4150



meusburger

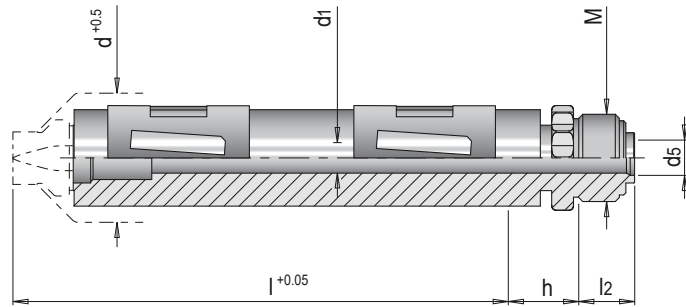
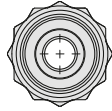
Standards for your success.

EH 4100



Heißkanaldüse smartFILL geschraubt

Hot runner nozzle smartFILL screw-in type



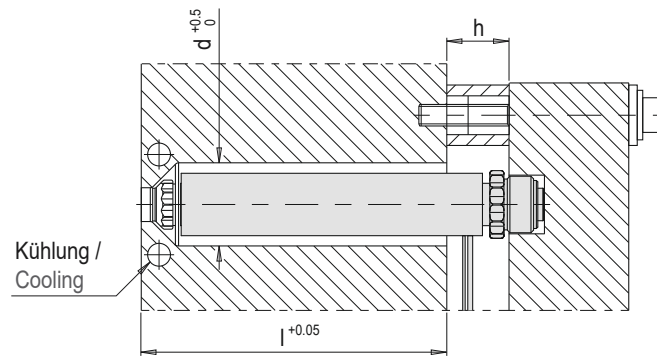
t max. 450 °C

d2	h	l2	M	d	l	d1	Nr./No.						
5	19	12	M16 x 1.5	17	40	5	EH 4100/17 x 40/ 5						
					50		EH 4100/17 x 50/ 5						
					60		EH 4100/17 x 60/ 5						
					70		EH 4100/17 x 70/ 5						
					80		EH 4100/17 x 80/ 5						
					90		EH 4100/17 x 90/ 5						
					100		EH 4100/17 x 100/ 5						
					110		EH 4100/17 x 110/ 5						
					120		EH 4100/17 x 120/ 5						
					130		EH 4100/17 x 130/ 5						
					140		EH 4100/17 x 140/ 5						
					150		EH 4100/17 x 150/ 5						
					160		EH 4100/17 x 160/ 5						
					170		EH 4100/17 x 170/ 5						
					180		EH 4100/17 x 180/ 5						
					5		19	12	M16 x 1.5	19	60	5	EH 4100/19 x 60/ 5
											70		EH 4100/19 x 70/ 5
											80		EH 4100/19 x 80/ 5
90	EH 4100/19 x 90/ 5												
100	EH 4100/19 x 100/ 5												
110	EH 4100/19 x 110/ 5												
120	EH 4100/19 x 120/ 5												
130	EH 4100/19 x 130/ 5												
140	EH 4100/19 x 140/ 5												
150	EH 4100/19 x 150/ 5												
160	EH 4100/19 x 160/ 5												
170	EH 4100/19 x 170/ 5												
180	EH 4100/19 x 180/ 5												
8	19	12	M20 x 1.5	27		60					7		EH 4100/27 x 60/ 7
						70							EH 4100/27 x 70/ 7
						80							EH 4100/27 x 80/ 7
						90							EH 4100/27 x 90/ 7
						100							EH 4100/27 x 100/ 7
					110	EH 4100/27 x 110/ 7							
					120	EH 4100/27 x 120/ 7							
					130	EH 4100/27 x 130/ 7							
					140	EH 4100/27 x 140/ 7							
					150	EH 4100/27 x 150/ 7							
					160	EH 4100/27 x 160/ 7							
					170	EH 4100/27 x 170/ 7							
					180	EH 4100/27 x 180/ 7							
					12	19	16	M28 x 1.5	37	60		11	EH 4100/37 x 60/11
										70			EH 4100/37 x 70/11
										80			EH 4100/37 x 80/11
										90			EH 4100/37 x 90/11
										100			EH 4100/37 x 100/11
110	EH 4100/37 x 110/11												
120	EH 4100/37 x 120/11												
130	EH 4100/37 x 130/11												
140	EH 4100/37 x 140/11												
150	EH 4100/37 x 150/11												
160	EH 4100/37 x 160/11												
170	EH 4100/37 x 170/11												
180	EH 4100/37 x 180/11												

d2	h	l2	M	d	l	d1	Nr./No.						
12	19	16	M28 x 1.5	37	200	11	EH 4100/37 x 200/11						
					220		EH 4100/37 x 220/11						
					240		EH 4100/37 x 240/11						
					260		EH 4100/37 x 260/11						
					280		EH 4100/37 x 280/11						
					300		EH 4100/37 x 300/11						
					320		EH 4100/37 x 320/11						
					340		EH 4100/37 x 340/11						
					360		EH 4100/37 x 360/11						
					16		20	20	M36 x 1.5	47	100	16	EH 4100/47 x 100/16
											120		EH 4100/47 x 120/16
											140		EH 4100/47 x 140/16
											160		EH 4100/47 x 160/16
180	EH 4100/47 x 180/16												
200	EH 4100/47 x 200/16												
220	EH 4100/47 x 220/16												
250	EH 4100/47 x 250/16												
280	EH 4100/47 x 280/16												
310	EH 4100/47 x 310/16												
340	EH 4100/47 x 340/16												

EINBAUABMESSUNGEN

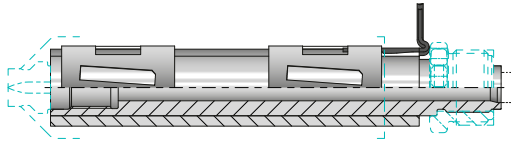
INSTALLATION DIMENSIONS



KOMBINATIONSMÖGLICHKEITEN COMBINATION POSSIBILITIES

Düsenserie
Nozzle Series

EH 4100

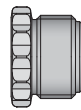


Nr./No.
EH 4100/17
EH 4100/19
EH 4100/27
EH 4100/37
EH 4100/47

Spannring
Clamping ring

EH 4102

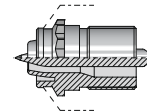
Nr./No.
EH 4102/17/14
EH 4102/19/14
EH 4102/27/18
EH 4102/37/27
EH 4102/47/32



Anschnittbaugruppe offen
Open gate assembly

EH 4200

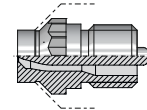
RT



Nr./No.
EH 4200/17/SMM
EH 4200/19/SMM
EH 4200/27/SMM
EH 4200/27/SMH
EH 4200/37/SMM
EH 4200/47/SMM

EH 4240

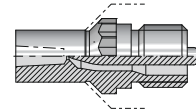
RT-D



Nr./No.
EH 4240/17/1,0/PMM
EH 4240/17/1,5/PMM
EH 4240/17/2,0/PMM
EH 4240/19/1,0/PMM
EH 4240/19/1,5/PMM
EH 4240/27/1,2/PMM
EH 4240/27/1,5/PMM
EH 4240/27/2,0/PMM
EH 4240/37/2,0/PMM
EH 4240/37/3,0/PMM
EH 4240/37/4,0/PMM
EH 4240/47/3,0/SMM
EH 4240/47/4,0/SMM

EH 4245

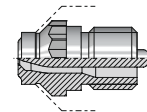
RT-DL



Nr./No.
EH 4245/17/1,5/10/PMM
EH 4245/27/1,5/10/PMM
EH 4245/27/2,0/10/PMM
EH 4245/37/3,0/15/PMM
EH 4245/37/4,0/15/PMM
EH 4245/47/3,0/40/SMM
EH 4245/47/4,0/40/SMM

EH 4250

RT-DC



Nr./No.
EH 4250/19/1,0/PMM
EH 4250/19/1,5/PMM
EH 4250/27/1,2/PMM
EH 4250/27/1,5/PMM
EH 4250/27/2,0/PMM
EH 4250/37/2,0/PMM
EH 4250/37/3,0/PMM

- P = Pulvermetallurgischer Stahl /
P = Powder metallurgy steel
- M = Molybdän / M = Molybdenum
- S = Stahl / S = Steel



BESTELLBEISPIEL ORDERING EXAMPLE

Düsenserie / Nozzle series

Anschnittbaugruppe / Gate type

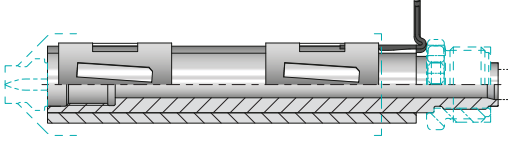
Spannring / Clamping ring

Artikel / Item	d	l	d1	Artikel / Item	d	d2	Mat.	Artikel / Item	d	d2
EH 4100	/ 27	x 100	/ 7	EH 4240	/ 27	/ 1,5	/ PMM	EH 4102	/ 27	/ 18

KOMBINATIONSMÖGLICHKEITEN COMBINATION POSSIBILITIES

Düsenserie
Nozzle Series

EH 4100

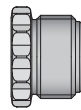


Nr./No.
EH 4100/17
EH 4100/19
EH 4100/27
EH 4100/37
EH 4100/47

Spannring
Clamping ring

EH 4102

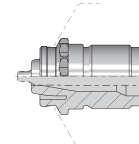
Nr./No.
EH 4102/17/14
EH 4102/19/14
EH 4102/27/18
EH 4102/37/27
EH 4102/47/32



Anschnittbaugruppe Nadelverschluss
Valve gate assembly

EH 4500

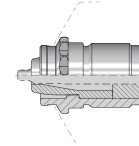
NZ



Nr./No.
EH 4500/17/SM
EH 4500/19/SM
EH 4500/27/SM
EH 4500/37/SM
EH 4500/47/SM

EH 4504

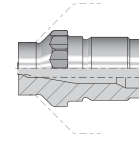
NZ-F



Nr./No.
EH 4504/17/SMS
EH 4504/19/SMS
EH 4504/27/SMS
EH 4504/37/SMS
EH 4504/47/SMS

EH 4540

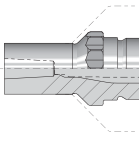
NZ-D



Nr./No.
EH 4540/17/1,5/PM
EH 4540/19/1,5/PM
EH 4540/27/1,5/PM
EH 4540/27/2,5/PM
EH 4540/37/2,5/PM
EH 4540/37/3,5/PM
EH 4540/47/5,0/SM

EH 4545

NZ-DL



Nr./No.
EH 4545/27/2,5/10/PM
EH 4545/37/3,5/15/PM
EH 4545/47/5,0/40/SM

- P = Pulvermetallurgischer Stahl /
P = Powder metallurgy steel
- M = Molybdän / M = Molybdenum
- S = Stahl / S = Steel



BESTELLBEISPIEL ORDERING EXAMPLE

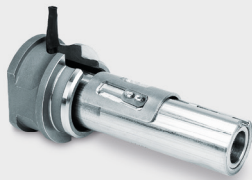
Düsenserie / Nozzle series

Anschnittbaugruppe / Gate type

Spannring / Clamping ring

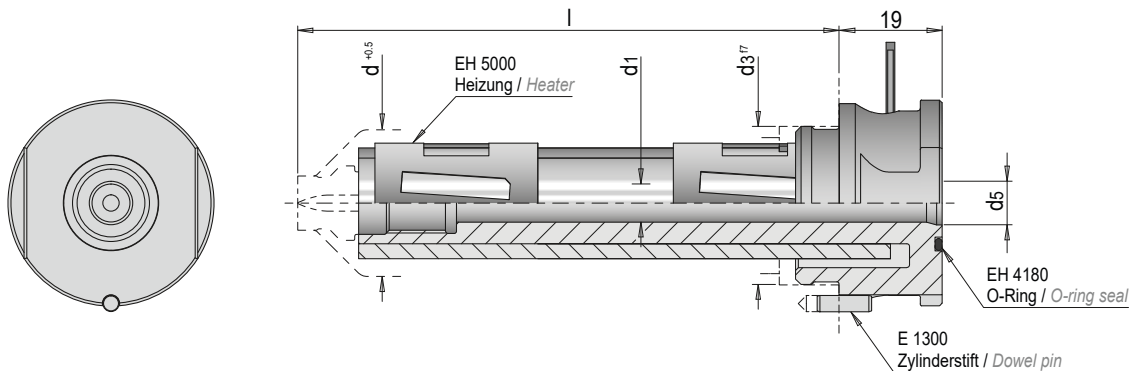
Artikel / Item	d	l	d1	Artikel / Item	d	d2	Mat.	Artikel / Item	d	d2
EH 4100	/ 27	x 100	/ 7	EH 4540	/ 27	/ 1,5	/ PM	EH 4102	/ 27	/ 18

EH 4150



smartFILL Schiebedicht

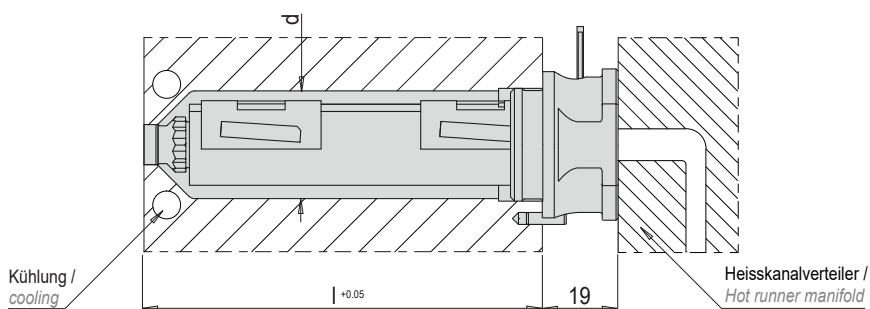
smartFILL slide seal



d5	d3	d	l	d1	Nr./No.
5	21	17	40	5	EH 4150/17 x 40/5
			60		EH 4150/17 x 60/5
			80		EH 4150/17 x 80/5
			100		EH 4150/17 x 100/5
			120		EH 4150/17 x 120/5
			140		EH 4150/17 x 140/5
			160		EH 4150/17 x 160/5
			180		EH 4150/17 x 180/5
5	21	19	60	5	EH 4150/19 x 60/5
			80		EH 4150/19 x 80/5
			100		EH 4150/19 x 100/5
			120		EH 4150/19 x 120/5
			140		EH 4150/19 x 140/5
			160		EH 4150/19 x 160/5
			180		EH 4150/19 x 180/5
			8		30
80	EH 4150/27 x 80/7				
100	EH 4150/27 x 100/7				
120	EH 4150/27 x 120/7				
140	EH 4150/27 x 140/7				
160	EH 4150/27 x 160/7				
180	EH 4150/27 x 180/7				
12	38	37		60	
			80	EH 4150/37 x 80/11	
			100	EH 4150/37 x 100/11	
			120	EH 4150/37 x 120/11	
			140	EH 4150/37 x 140/11	
			160	EH 4150/37 x 160/11	
			180	EH 4150/37 x 180/11	
			200	EH 4150/37 x 200/11	
			220	EH 4150/37 x 220/11	
			240	EH 4150/37 x 240/11	
			260	EH 4150/37 x 260/11	
			280	EH 4150/37 x 280/11	
300	EH 4150/37 x 300/11				
320	EH 4150/37 x 320/11				
340	EH 4150/37 x 340/11				
			360		EH 4150/37 x 360/11

EINBAUABMESSUNGEN

INSTALLATION DIMENSIONS

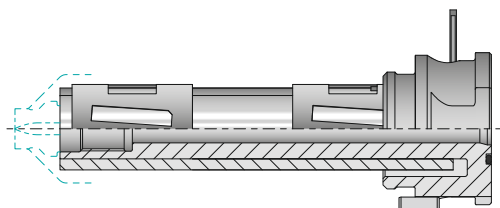


KOMBINATIONSMÖGLICHKEITEN

COMBINATION POSSIBILITIES

Düsenserie
Nozzle Series

EH 4150



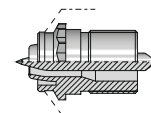
Nr./No.
EH 4150/17
EH 4150/19
EH 4150/27
EH 4150/37

Anschnittbaugruppe offen

Open gate assembly

EH 4200

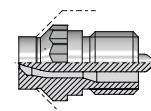
RT



Nr./No.
EH 4200/17/SMM
EH 4200/19/SMM
EH 4200/27/SMM
EH 4200/37/SMM
EH 4200/47/SMM

EH 4240

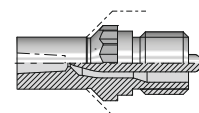
RT-D



Nr./No.
EH 4240/17/1,0/PMM
EH 4240/17/1,5/PMM
EH 4240/17/2,0/PMM
EH 4240/19/1,0/PMM
EH 4240/19/1,5/PMM
EH 4240/27/1,2/PMM
EH 4240/27/1,5/PMM
EH 4240/27/2,0/PMM
EH 4240/37/2,0/PMM
EH 4240/37/3,0/PMM
EH 4240/37/4,0/PMM
EH 4240/47/3,0/SMM
EH 4240/47/4,0/SMM

EH 4245

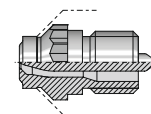
RT-DL



Nr./No.
EH 4245/17/1,5/10/PMM
EH 4245/19/1,5/10/PMM
EH 4245/27/1,5/10/PMM
EH 4245/27/2,0/10/PMM
EH 4245/37/3,0/15/PMM
EH 4245/37/4,0/15/PMM
EH 4245/47/3,0/40/SMM
EH 4245/47/4,0/40/SMM

EH 4250

RT-DC



Nr./No.
EH 4250/19/1,0/PMM
EH 4250/19/1,5/PMM
EH 4250/27/1,2/PMM
EH 4250/27/1,5/PMM
EH 4250/27/2,0/PMM
EH 4250/37/2,0/PMM
EH 4250/37/3,0/PMM

- P = Pulvermetallurgischer Stahl /
P = Powder metallurgy steel
- M = Molybdän / M = Molybdenum
- S = Stahl / S = Steel



BESTELLBEISPIEL

ORDERING EXAMPLE

Düsenserie / Nozzle series

Anschnittbaugruppe / Gate type

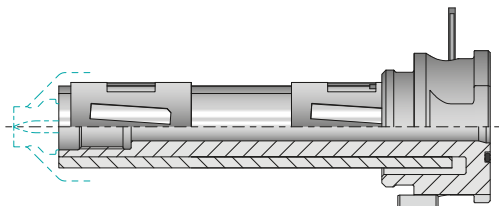
Artikel / Item	d	l	d1	Artikel / Item	d	d2	Mat.
EH 4150	/ 27	x 100	/ 7	EH 4240	/ 27	/ 1,5	/ PMM

KOMBINATIONSMÖGLICHKEITEN

COMBINATION POSSIBILITIES

Düsenserie
Nozzle Series

EH 4150

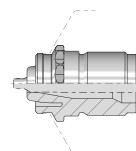


Nr./No.
EH 4150/17
EH 4150/19
EH 4150/27
EH 4150/37

Anschnittbaugruppe Nadelverschluss
Valve gate assembly

EH 4500

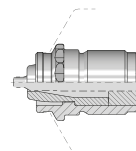
NZ



Nr./No.
EH 4500/17/SM
EH 4500/19/SM
EH 4500/27/SM
EH 4500/37/SM
EH 4500/47/SM

EH 4504

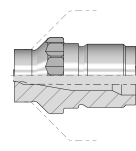
NZ-F



Nr./No.
EH 4504/17/SMS
EH 4504/19/SMS
EH 4504/27/SMS
EH 4504/37/SMS
EH 4504/47/SMS

EH 4540

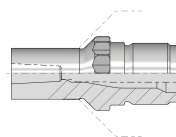
NZ-D



Nr./No.
EH 4540/17/1,5/PM
EH 4540/19/1,5/PM
EH 4540/27/1,5/PM
EH 4540/27/2,5/PM
EH 4540/37/2,5/PM
EH 4540/37/3,5/PM
EH 4540/47/5,0/SM

EH 4545

NZ-DL



Nr./No.
EH 4545/27/2,5/10/PM
EH 4545/37/3,5/15/PM
EH 4545/47/5,0/40/SM

- P = Pulvermetallurgischer Stahl /
P = Powder metallurgy steel
- M = Molybdän / M = Molybdenum
- S = Stahl / S = Steel



BESTELLBEISPIEL ORDERING EXAMPLE

Düsenserie / Nozzle series

Anschnittbaugruppe / Gate type

Artikel / Item	d	l	d1	Artikel / Item	d	d2	Mat.
EH 4150	/ 27	x 100	/ 7	EH 4540	/ 27	/ 1,5	/ PM