

# EH 4180 METALL-O-RINGE

## EH 4180 METAL O-RING SEALS

- » Zur Abdichtung zwischen schiebedichten Düsen und HK-Verteilern
- » Passend zur smartFILL-Baureihe Serie 19/27/37

- » For sealing between slide seal nozzles and HR manifolds
- » » Suitable for smartFILL series 19/27/37



**meusburger**

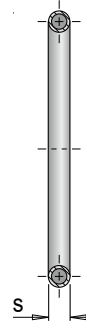
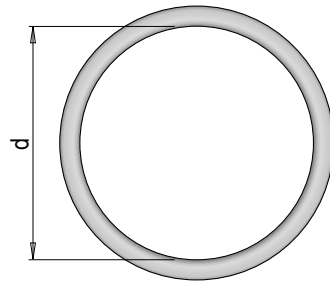
Standards for your success.

EH 4180



O-Ring Metall

Metal O-ring seal

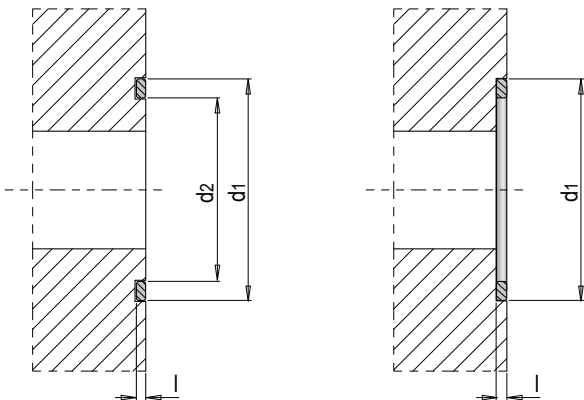


Mat.: 1.4541

d1	d2	l	s	d	Nr. / No.
8.85	6.1	0.7	0.9	<b>6.9</b>	EH 4180/ 6,9 x 0,9
12.8	8.2	1.3	1.6	<b>9.5</b>	EH 4180/ 9,5 x 1,6
14.4	10.0			<b>11.1</b>	EH 4180/11,1 x 1,6
17.6	13.2			<b>14.3</b>	EH 4180/14,3 x 1,6
20.8	16.4			<b>17.5</b>	EH 4180/17,5 x 1,6
25.6	21.2			<b>22.3</b>	EH 4180/22,3 x 1,6
30.4	25.9			<b>27.0</b>	EH 4180/27,0 x 1,6

## EINBAU

### INSTALLATION



### Einbautoleranzen Installation tolerances

d	d1	d2	l
6.9	+0.05 0	0 -0.1	+0.05 0
9.5			+0.1 0
11.1			
14.3			
17.5			
22.3			
27.0			