

SUCHEREINHEIT - ERWEITERUNG

PILOT UNIT - EXPANSION

Die Suchereinheit E 5655 wurde um den \varnothing 12 mm erweitert. Alle bestehenden Größen ab sofort mit sehr geringer Federkraft erhältlich

The E 5655 pilot unit was expanded by \varnothing 12 mm. All existing sizes now available with very low spring force



meusburger

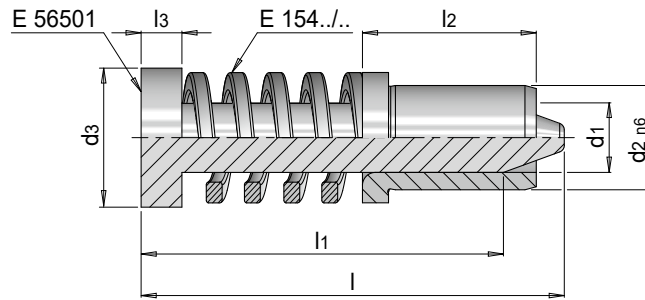
Standards for your success.

E 5655



Suchereinheit

Pilot unit



Mat. Sucherstift / pilot pin: 1.3343 ≈ 60 HRC

F1	F2	E 154../..	X	M	h	h1	dk ¹⁾	d2	d3	d4	l3	l	d1	l1	l2	Nr. / No.																
21	60	E 1541/..	4.5	M12 x 1.5	28	29	10.5	8	10.5	11	3	36	5	32	8	E 5655/ 5 x 32/ 8/lg																
28	77	E 1542/..				E 5655/ 5 x 32/ 8/g																										
40	112	E 1543/..				E 5655/ 5 x 32/ 8/b																										
58	161	E 1544/..				E 5655/ 5 x 32/ 8/r																										
21	60	E 1541/..				33										40	36	12	E 5655/ 5 x 36/12/lg													
28	77	E 1542/..				E 5655/ 5 x 36/12/g																										
40	112	E 1543/..				E 5655/ 5 x 36/12/b																										
58	161	E 1544/..				E 5655/ 5 x 36/12/r																										
21	60	E 1541/..				37													44	40	16	E 5655/ 5 x 40/16/lg										
28	77	E 1542/..																				E 5655/ 5 x 40/16/g										
40	112	E 1543/..																				E 5655/ 5 x 40/16/b										
58	161	E 1544/..																				E 5655/ 5 x 40/16/r										
40	112	E 1541/..	4.5	M14 x 1.5	28.5		37	12.5	10	12.5	13	3	45	6	40							16	E 5655/ 6 x 40/16/lg									
53	147	E 1542/..					E 5655/ 6 x 40/16/g																									
75	210	E 1543/..					E 5655/ 6 x 40/16/b																									
105	295	E 1544/..					E 5655/ 6 x 40/16/r																									
40	112	E 1541/..					41									49	44	20					E 5655/ 6 x 44/20/lg									
53	147	E 1542/..																					E 5655/ 6 x 44/20/g									
75	210	E 1543/..																					E 5655/ 6 x 44/20/b									
105	295	E 1544/..																					E 5655/ 6 x 44/20/r									
51	141	E 1541/..				4.5													M18 x 1.5	29.5	38		16.5	12	16	16	4	48	8	41	16	E 5655/ 8 x 41/16/lg
73	203	E 1542/..																			E 5655/ 8 x 41/16/g											
124	346	E 1543/..																			E 5655/ 8 x 41/16/b											
189	530	E 1544/..																			E 5655/ 8 x 41/16/r											
51	141	E 1541/..	42	52	45			20	E 5655/ 8 x 45/20/lg																							
73	203	E 1542/..							E 5655/ 8 x 45/20/g																							
124	346	E 1543/..							E 5655/ 8 x 45/20/b																							
189	530	E 1544/..							E 5655/ 8 x 45/20/r																							
74	206	E 1541/..					4.5		M22 x 1.5	30.5	43	20.5	15	20	20	5	54	10			46	20										E 5655/10 x 46/20/lg
140	391	E 1542/..									E 5655/10 x 46/20/g																					
245	686	E 1543/..									E 5655/10 x 46/20/b																					
540	1512	E 1544/..									E 5655/10 x 46/20/r																					
74	206	E 1541/..				48					59								51	25			E 5655/10 x 51/25/lg									
140	391	E 1542/..																					E 5655/10 x 51/25/g									
245	686	E 1543/..																					E 5655/10 x 51/25/b									
540	1512	E 1544/..																					E 5655/10 x 51/25/r									
135	377	E 1541/..	4.5	M27 x 1.5/ M27 x 2	31.5			43															25.5	18	25	25	5	56	12	46	20	E 5655/12 x 46/20/lg
263	735	E 1542/..						E 5655/12 x 46/20/g																								
393	1099	E 1543/..						E 5655/12 x 46/20/b																								
938	2625	E 1544/..						E 5655/12 x 46/20/r																								
135	377	E 1541/..					48	61	51	25		E 5655/12 x 51/25/lg																				
263	735	E 1542/..										E 5655/12 x 51/25/g																				
393	1099	E 1543/..										E 5655/12 x 51/25/b																				
938	2625	E 1544/..										E 5655/12 x 51/25/r																				

1) dk: Kerndurchmesser / dk: core diameter

