

# LÄNGENERWEITERUNG EINZELDÜSE SMARTFILL EH 4000

## NEW LENGTHS FOR SINGLE NOZZLE SMARTFILL EH 4000

Wir bieten unsere bewährte Einzeldüse smartFILL in vielen neuen Standardlängen an. Profitieren Sie somit von mehr Flexibilität bei der Auswahl der passenden Düse.

- » Für die Düsengrößen 19, 27 und 37: standardisierte Zwischenlängen in Schritten von 10 mm bis zu einer Länge von 160 mm verfügbar
- » Für die Düsengröße 47: nun auch in den Längen 140, 180 und 220 mm verfügbar

We offer our tried-and-trusted single nozzle smartFILL in many new standard lengths, so you can benefit from more flexibility when choosing the right nozzle.

- » Nozzle sizes 19, 27 and 37: standardised intermediate lengths available in increments of 10 mm up to a length of 160 mm
- » Nozzle size 47: now also available in lengths 140, 180 and 220 mm



**meusburger**

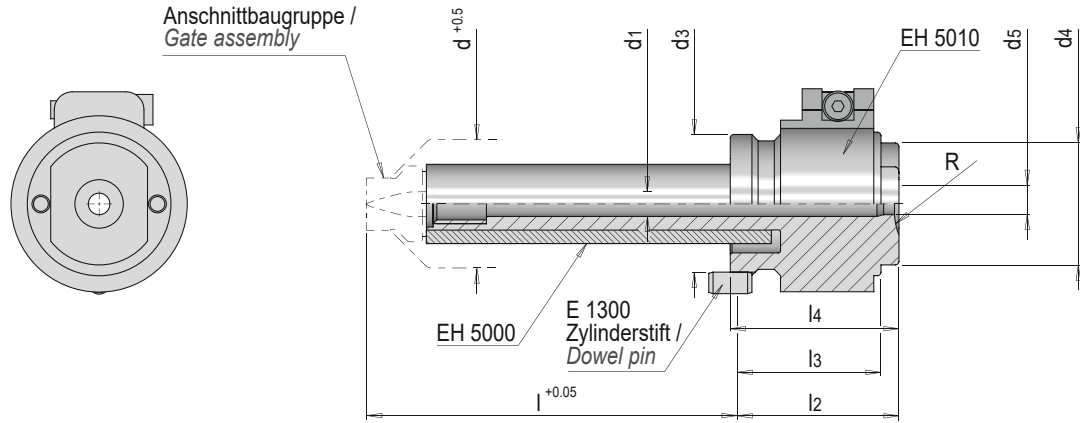
Standards for your success.

## EH 4000



### Einzeldüse, smartFILL

### Single nozzle - smartFILL



t max. = 450°C

d5	d3	d4	l2	l3	l4	V <sup>(1)</sup>	d	l	d1	R	Nr. / No.									
5	40	34	44	39	47	1.8	19	60	5	0	EH 4000/19 x 60/ 5/ 0									
						2.0		70			EH 4000/19 x 70/ 5/ 0									
						2.20		80			EH 4000/19 x 80/ 5/ 0									
						2.39		90			EH 4000/19 x 90/ 5/ 0									
						2.59		100			EH 4000/19 x 100/ 5/ 0									
						2.78		110			EH 4000/19 x 110/ 5/ 0									
						2.98		120			EH 4000/19 x 120/ 5/ 0									
						3.18		130			EH 4000/19 x 130/ 5/ 0									
						3.37		140			EH 4000/19 x 140/ 5/ 0									
						3.57		150			EH 4000/19 x 150/ 5/ 0									
						3.77		160			EH 4000/19 x 160/ 5/ 0									
						5		40			34	44	39	47	1.8	19	60	5	16	EH 4000/19 x 60/ 5/16
															2.20		80			EH 4000/19 x 80/ 5/16
2.39	90	EH 4000/19 x 90/ 5/16																		
2.59	100	EH 4000/19 x 100/ 5/16																		
2.78	110	EH 4000/19 x 110/ 5/16																		
2.98	120	EH 4000/19 x 120/ 5/16																		
3.18	130	EH 4000/19 x 130/ 5/16																		
3.37	140	EH 4000/19 x 140/ 5/16																		
3.57	150	EH 4000/19 x 150/ 5/16																		
3.77	160	EH 4000/19 x 160/ 5/16																		
5	40	34	44	39	47		1.8		19	60					5		40			EH 4000/19 x 60/ 5/40
							2.0			70										EH 4000/19 x 70/ 5/40
							2.20			80										EH 4000/19 x 80/ 5/40
						2.39	90	EH 4000/19 x 90/ 5/40												
						2.59	100	EH 4000/19 x 100/ 5/40												
						2.78	110	EH 4000/19 x 110/ 5/40												
						2.98	120	EH 4000/19 x 120/ 5/40												
						3.18	130	EH 4000/19 x 130/ 5/40												
						3.37	140	EH 4000/19 x 140/ 5/40												
						3.57	150	EH 4000/19 x 150/ 5/40												
						3.77	160	EH 4000/19 x 160/ 5/40												
						6	40	34		44	39	47	3.38	27		60		7	0	EH 4000/27 x 60/ 7/ 0
													3.76			70				EH 4000/27 x 70/ 7/ 0
4.15	80	EH 4000/27 x 80/ 7/ 0																		
4.53	90	EH 4000/27 x 90/ 7/ 0																		
4.92	100	EH 4000/27 x 100/ 7/ 0																		
5.3	110	EH 4000/27 x 110/ 7/ 0																		
5.69	120	EH 4000/27 x 120/ 7/ 0																		
6.07	130	EH 4000/27 x 130/ 7/ 0																		
6.46	140	EH 4000/27 x 140/ 7/ 0																		
6.88	150	EH 4000/27 x 150/ 7/ 0																		
7.23	160	EH 4000/27 x 160/ 7/ 0																		

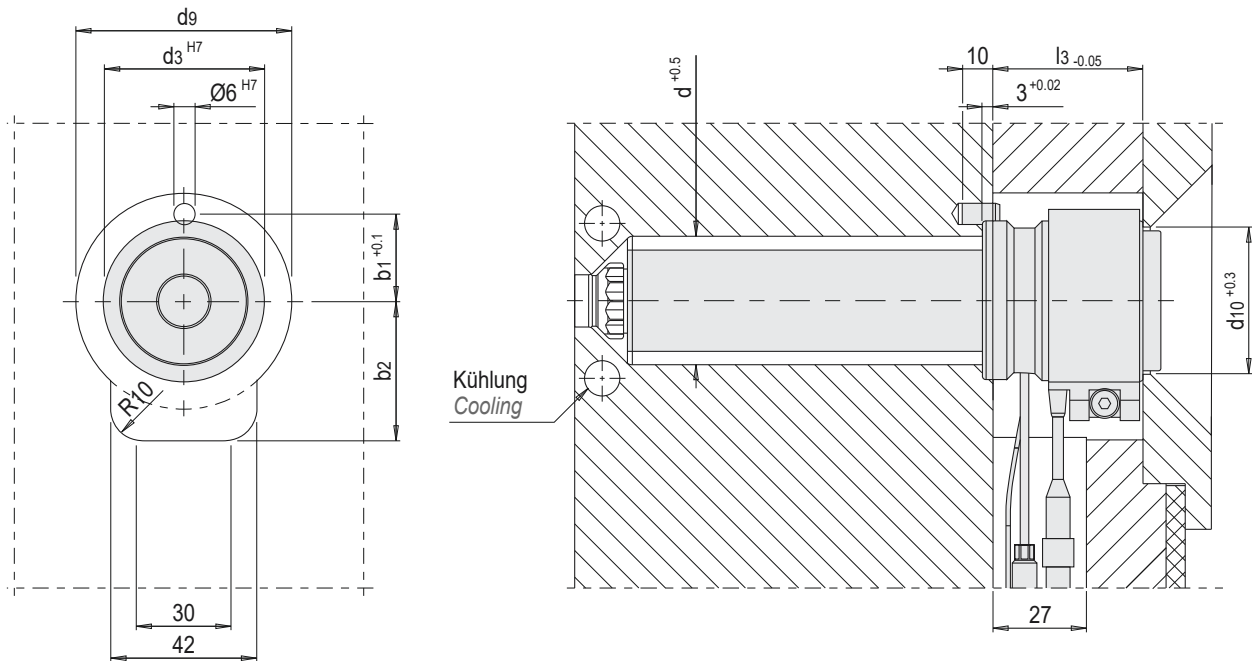
d5	d3	d4	l2	l3	l4	V <sup>1)</sup>	d	l	d1	R	Nr./ No.
6	40	34	44	39	47	3.38	27	60	7	16	EH 4000/27 x 60/ 7/16
						3.76		70			EH 4000/27 x 70/ 7/16
						4.15		80			EH 4000/27 x 80/ 7/16
						4.53		90			EH 4000/27 x 90/ 7/16
						4.92		100			EH 4000/27 x 100/ 7/16
						5.3		110			EH 4000/27 x 110/ 7/16
						5.69		120			EH 4000/27 x 120/ 7/16
						6.07		130			EH 4000/27 x 130/ 7/16
						6.46		140			EH 4000/27 x 140/ 7/16
						6.84		150			EH 4000/27 x 160/ 7/16
						7.23		160			EH 4000/27 x 100/ 7/16
6	40	34	44	39	47	3.38	27	60	7	40	EH 4000/27 x 60/ 7/40
						3.76		70			EH 4000/27 x 70/ 7/40
						4.15		80			EH 4000/27 x 80/ 7/40
						4.53		90			EH 4000/27 x 90/ 7/40
						4.92		100			EH 4000/27 x 100/ 7/40
						5.3		110			EH 4000/27 x 110/ 7/40
						5.69		120			EH 4000/27 x 120/ 7/40
						6.07		130			EH 4000/27 x 130/ 7/40
						6.46		140			EH 4000/27 x 140/ 7/40
						6.84		150			EH 4000/27 x 150/ 7/40
						7.23		160			EH 4000/27 x 160/ 7/40
8	46	40	48	43	51	8.1	37	60	11	0	EH 4000/37 x 60/11/ 0
						9.05		70			EH 4000/37 x 70/11/ 0
						10.0		80			EH 4000/37 x 80/11/ 0
						10.95		90			EH 4000/37 x 90/11/ 0
						11.9		100			EH 4000/37 x 100/11/ 0
						12.85		110			EH 4000/37 x 110/11/ 0
						13.8		120			EH 4000/37 x 120/11/ 0
						14.75		130			EH 4000/37 x 130/11/ 0
						15.7		140			EH 4000/37 x 140/11/ 0
						16.65		150			EH 4000/37 x 150/11/ 0
						17.6		160			EH 4000/37 x 160/11/ 0
8	46	40	48	43	51	8.1	37	60	11	16	EH 4000/37 x 60/11/16
						9.05		70			EH 4000/37 x 70/11/16
						10.0		80			EH 4000/37 x 80/11/16
						10.95		90			EH 4000/37 x 90/11/16
						11.9		100			EH 4000/37 x 100/11/16
						12.85		110			EH 4000/37 x 110/11/16
						13.8		120			EH 4000/37 x 120/11/16
						14.75		130			EH 4000/37 x 130/11/16
						15.7		140			EH 4000/37 x 140/11/16
						16.65		150			EH 4000/37 x 150/11/16
						17.6		160			EH 4000/37 x 160/11/16
8	46	40	48	43	51	8.1	37	60	11	40	EH 4000/37 x 60/11/40
						9.05		70			EH 4000/37 x 70/11/40
						10.0		80			EH 4000/37 x 80/11/40
						10.95		90			EH 4000/37 x 90/11/40
						11.9		100			EH 4000/37 x 100/11/40
						12.85		110			EH 4000/37 x 110/11/40
						13.8		120			EH 4000/37 x 120/11/40
						14.75		130			EH 4000/37 x 130/11/40
						15.7		140			EH 4000/37 x 140/11/40
						16.65		150			EH 4000/37 x 150/11/40
						17.6		160			EH 4000/37 x 160/11/40
8	70	62	61	53	64	24.99	47	100	16	0	EH 4000/47 x 100/16/ 0
						29.01		120			EH 4000/47 x 120/16/ 0
						33.03		140			EH 4000/47 x 140/16/ 0
						37.06		160			EH 4000/47 x 160/16/ 0
						41.07		180			EH 4000/47 x 180/16/ 0
						45.1		200			EH 4000/47 x 200/16/ 0
						49.12		220			EH 4000/47 x 220/16/ 0
						55.15		250			EH 4000/47 x 250/16/ 0

d5	d3	d4	l2	l3	l4	V <sup>1)</sup>	d	l	d1	R	Nr. / No.
8	70	62	61	53	64	24.99	47	100	16	16	EH 4000/47 x 100/16/16
						29.01		120			EH 4000/47 x 120/16/16
						33.03		140			EH 4000/47 x 140/16/16
						37.06		160			EH 4000/47 x 160/16/16
						41.07		180			EH 4000/47 x 180/16/16
						45.1		200			EH 4000/47 x 200/16/16
						49.12		220			EH 4000/47 x 220/16/16
						55.15		250			EH 4000/47 x 250/16/16
8	70	62	61	53	64	24.99	47	100	16	40	EH 4000/47 x 100/16/40
						29.01		120			EH 4000/47 x 120/16/40
						33.03		140			EH 4000/47 x 140/16/40
						37.06		160			EH 4000/47 x 160/16/40
						41.07		180			EH 4000/47 x 180/16/40
						45.1		200			EH 4000/47 x 200/16/40
						49.12		220			EH 4000/47 x 220/16/40
						55.15		250			EH 4000/47 x 250/16/40

1) Volumen Schmelzekanal, inkl. Anschnittbaugruppe (cm<sup>3</sup>) / Melt channel volume, incl. gate assembly (cm<sup>3</sup>)

## EINBAUABMESSUNGEN:

### INSTALLATION DIMENSIONS:



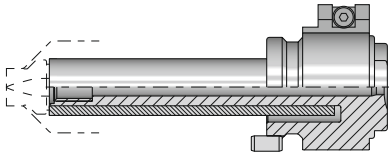
d	b1	b2	d3	d9	d10	l3
19	22	37	40	54	36	39
27	22	37	40	54	36	39
37	25	40	46	62	42	43
47	36	-	70	90	63	53

## KOMBINATIONSMÖGLICHKEITEN

### COMBINATION POSSIBILITIES

Düsenreihe  
Nozzle series

#### EH 4000

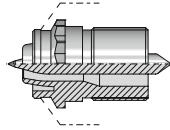


Serie / Series
EH 4000/ 19
EH 4000/ 27
EH 4000/ 37
EH 4000/ 47

Anschnittbaugruppe  
Gate assembly

#### EH 4200

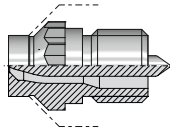
RT



EH	Nr./No.
EH 4200/19/SMM	RT
EH 4200/27/SMM	RT
EH 4200/37/SMM	RT
EH 4200/47/SMM	RT

#### EH 4240

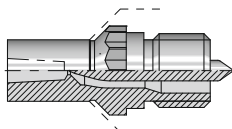
RT-D



EH	Nr./No.
EH 4240/19/1,0/PMM	RT-D 1,0
EH 4240/19/1,5/PMM	RT-D 1,5
EH 4240/27/1,2/PMM	RT-D 1,2
EH 4240/27/1,5/PMM	RT-D 1,5
EH 4240/27/2,0/PMM	RT-D 2,0
EH 4240/37/2,0/PMM	RT-D 2,0
EH 4240/37/3,0/PMM	RT-D 3,0
EH 4240/37/4,0/PMM	RT-D 4,0
EH 4240/47/3,0/SMM	RT-D 3,0
EH 4240/47/4,0/SMM	RT-D 4,0

#### EH 4245

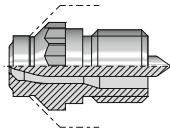
RT-DL



EH	Nr./No.
EH 4245/19/1,5/10/PMM	RT-DL 1,5
EH 4245/27/1,5/10/PMM	RT-DL 1,5
EH 4245/27/2,0/10/PMM	RT-DL 2,0
EH 4245/37/3,0/15/PMM	RT-DL 3,0
EH 4245/37/4,0/15/PMM	RT-DL 4,0
EH 4245/47/3,0/40/SMM	RT-DL 3,0
EH 4245/47/4,0/40/SMM	RT-DL 4,0

#### EH 4250

RT-DC

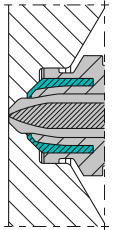


EH	Nr./No.
EH 4250/19/1,0/PMM	RT-DC 1,0
EH 4250/19/1,5/PMM	RT-DC 1,5
EH 4250/27/1,2/PMM	RT-DC 1,2
EH 4250/27/1,5/PMM	RT-DC 1,5
EH 4250/37/2,0/PMM	RT-DC 2,0
EH 4250/37/3,0/PMM	RT-DC 3,0

Isolierkappe  
Insulation cap

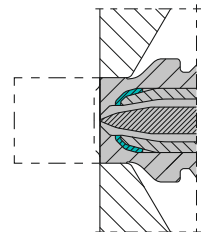
#### EH 4370

Nr./No.
0 (nein/no)
1 (ja / yes)



#### EH 4374

Nr./No.
0 (nein/no)
1 (ja / yes)



#### BESTELLBEISPIEL

#### ORDERING EXAMPLE

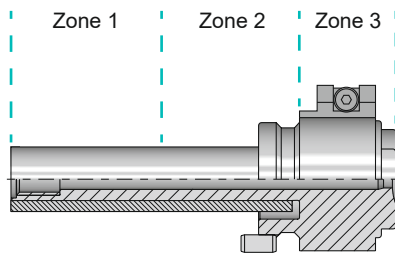
Düsenreihe / Nozzle series

Anschnittbaugruppe / Gate type

Isolierkappe / Insulation cap

Artikel / Item	d	l	Fließkanal / Flow channel	R	Typ / Type	Anschnitt Ø / Gate Ø	/	l
EH 4000	/ 27	x 100 /	7	/ 16	RT-D	1,5	/	1

## HEIZUNG HEATING



d	l	Heizleistung [W] Heating power [W]				Regelzonen Control zones	
		Nr. Zone 1 (braun) No. zone 1 (brown)	Nr. Zone 2 (grau) No. zone 2 (grey)	Nr. Zone 3 No. zone 3	Watt gesamt Watt complete		
19	60	EH 5000/19/12 x 60/ 120W	-	EH 5010/40 x 26/ 460W	580	2	
	70				590		
	80	EH 5000/19/12 x 80/ 130W			590		
	90						
	100	EH 5000/19/12 x 100/ 130W					
	110						
	120	EH 5000/19/12 x 120/ 140W			600		
	130						
	140	EH 5000/19/12 x 140/ 140W					
	150						
27	60	EH 5000/27/15 x 60/ 100W	-	EH 5010/46 x 26/ 460W	560	2	
	70				610		
	80	EH 5000/27/15 x 80/ 150W			610		
	90						
	100	EH 5000/27/15 x 100/ 153W			613		
	110						
	120	EH 5000/27/15 x 120/ 173W			633		
	130						
	140	EH 5000/27/15 x 140/ 192W			652		
	150						
37	60	EH 5000/37/22 x 60/ 130W	-	EH 5010/46 x 26/ 460W	590	2	
	70				637		
	80	EH 5000/37/22 x 80/ 177W			637		
	90						
	100	EH 5000/37/22 x 100/ 178W			638		
	110						
	120	EH 5000/37/22 x 120/ 186W			646		
	130						
	140	EH 5000/37/22 x 140/ 200W			660		
	150						
47	100	EH 5000/37/22 x 160/ 325W	-	EH 5010/70 x 40/1000W	785	2	
	120	EH 5000/47/28 x 100/ 457W			1457		
	140	EH 5000/47/28 x 120/ 463W			1463		
	160	EH 5000/47/28 x 140/ 470W			1470		
	180	EH 5000/47/28 x 160/ 470W					
	200	EH 5000/47/28 x 180/ 700W			1700		3
	220	EH 5000/47/28 x 200/ 720W			1720		
	240	EH 5000/47/28 x 220/ 740W			1740		
	260	EH 5000/47/28 x 240/ 740W			1740		
	280	EH 5000/47/28 x 250/ 760W			1760		

## TECHNISCHE DATEN:

### TECHNICAL SPECIFICATIONS:

- » Außenbeheizt 230V AC
- » Anschlussleitungen sind bis 200 °C temperaturbeständig
- » Thermofühler Typ J, Fe-CuNi, DIN EN 43722, schwarz+/weiß-
- » Kabellänge Düsenschaftheizer min. 2000 mm
- » Max. Spritzdruck 1800 bar
- » Anlagekraft der Maschinendüse min. 36 kN / d 19, d 27 min 16kN
- » Längenausdehnung der Düse ist für  $\Delta T=220^{\circ}\text{C}$  berücksichtigt
- » Das Werkzeug muss geerdet werden. Wird die Düse außerhalb vom Werkzeug betrieben, muss die Düse geerdet werden.
- » Temperierung vorsehen: Um die Anschnittbaugruppe und gegenüber der Anbindungsstelle

- » *Externally heated 230V AC*
- » *Connecting cables are temperature resistant up to 200 °C*
- » *Thermocouple type J, Fe-CuNi, DIN EN 43722, black+/white-*
- » *Cable length of nozzle shaft heater is min. 2000 mm*
- » *Maximum injection pressure: 1800 bar*
- » *Contact force of the machine nozzle: minimum 36 kN (d 19, d 27 min. 16kN)*
- » *Linear expansion of the nozzle is already considered for  $\Delta T=220^{\circ}\text{C}$*
- » *The mould must be grounded. If the nozzle is operated outside the mould, then the nozzle must be grounded.*
- » *Provide temperature regulation (heating): around the gate assembly and opposite the gating point*