

FÜHRUNGSSÄULEN OHNE SCHMIERNUTEN E 1002

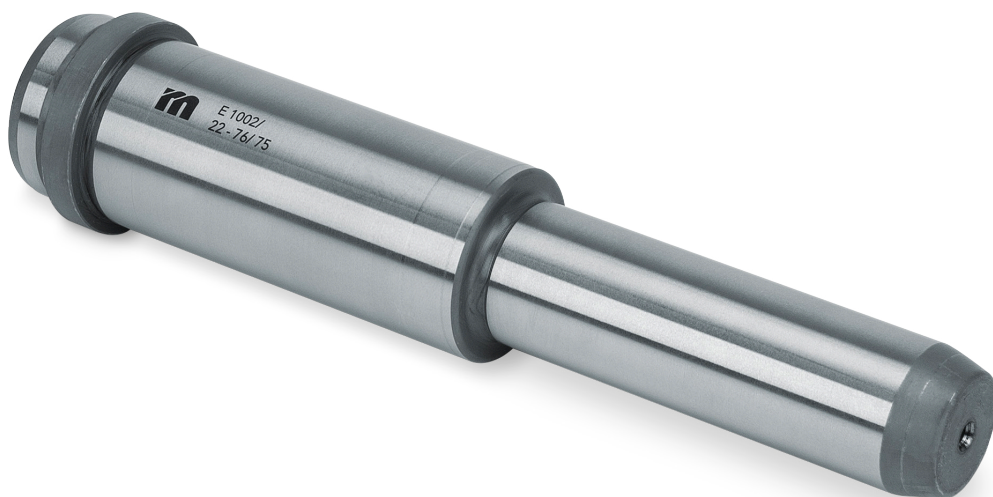
GUIDE PILLARS WITHOUT OIL GROOVES E 1002

Wir haben unser Sortiment an Standardführungen um Führungssäulen ohne Schmiernuten erweitert. Durch die Eigenfertigung dieser hochwertigen Führungselemente wird beste Qualität gewährleistet.

- » Zwei Passdurchmesser für eine einfache Montage und Demontage
- » Optimaler Halt in der Führungsbohrung
- » Abgestimmt auf unser Plattensortiment

We have added guide pillars without oil grooves to our range of standard guiding systems. In order to guarantee the best quality, we manufacture these high-grade guiding elements in-house.

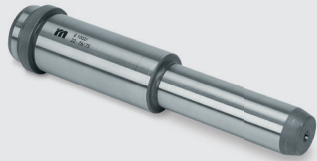
- » Two fitting diameters for easy installation and removal
- » Optimal fit in the guiding hole
- » Coordinated with our plate range



meusburger

Standards for your success.

E 1002

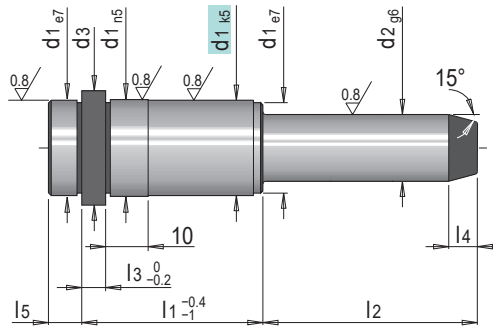


Führungssäule mit Zentrierbund, ohne Schmiernuten

Guide pillar with centring collar, without oil grooves

» Zwei Passdurchmesser für einfache Montage und festen Sitz

» Two fitting diameters for easy installation and a tight fit



Mat.: 1.7131 ≈ 60 HRC

l3	l4	l5	d3	d1	d2	l1	l2	Nr. / No.	d2	Nr. / No.	l3	l4	l5	d3	d1	d2	l1	l2	Nr. / No.	d2	Nr. / No.							
6	5	9	25	20	14	27	35	E 1002/14 - 27/ 35	15	E 1002/15 - 27/ 35	6	7	9	35	30	22	96	95	E 1002/22 - 96/ 95	24	E 1002/24 - 96/ 95							
							36	E 1002/14 - 27/ 55		E 1002/15 - 27/ 55								115	E 1002/22 - 96/115		E 1002/24 - 96/115							
							35	E 1002/14 - 36/ 35		E 1002/15 - 36/ 35								155	E 1002/22 - 96/155		E 1002/24 - 96/155							
							55	E 1002/14 - 36/ 55		E 1002/15 - 36/ 55								75	E 1002/30 - 56/ 55	32	E 1002/32 - 56/ 55							
							46	E 1002/14 - 46/ 35		E 1002/15 - 46/ 35								95	E 1002/30 - 56/ 75		E 1002/32 - 56/ 75							
							55	E 1002/14 - 46/ 55		E 1002/15 - 46/ 55								95	E 1002/30 - 56/ 95		E 1002/32 - 56/ 95							
							56	E 1002/14 - 56/ 35		E 1002/15 - 56/ 35								115	E 1002/30 - 56/115		E 1002/32 - 56/115							
							55	E 1002/14 - 56/ 55		E 1002/15 - 56/ 55								155	E 1002/30 - 56/155		E 1002/32 - 56/155							
6	7	9	31	26	18	27	35	E 1002/18 - 27/ 35	20	E 1002/20 - 27/ 35								195	E 1002/30 - 56/195		E 1002/32 - 56/195							
							55	E 1002/18 - 27/ 55		E 1002/20 - 27/ 55								66	55	E 1002/30 - 66/ 55		E 1002/32 - 66/ 55						
							75	E 1002/18 - 27/ 75		E 1002/20 - 27/ 75								75	E 1002/30 - 66/ 75		E 1002/32 - 66/ 75							
							36	E 1002/18 - 36/ 35		E 1002/20 - 36/ 35								95	E 1002/30 - 66/ 95		E 1002/32 - 66/ 95							
							55	E 1002/18 - 36/ 55		E 1002/20 - 36/ 55								115	E 1002/30 - 66/115		E 1002/32 - 66/115							
							75	E 1002/18 - 36/ 75		E 1002/20 - 36/ 75								155	E 1002/30 - 66/155		E 1002/32 - 66/155							
							95	E 1002/18 - 36/ 95		E 1002/20 - 36/ 95								195	E 1002/30 - 66/195		E 1002/32 - 66/195							
							46	E 1002/18 - 46/ 35		E 1002/20 - 46/ 35								76	55	E 1002/30 - 76/ 55		E 1002/32 - 76/ 55						
							55	E 1002/18 - 46/ 55		E 1002/20 - 46/ 55								75	E 1002/30 - 76/ 75		E 1002/32 - 76/ 75							
							75	E 1002/18 - 46/ 75		E 1002/20 - 46/ 75								95	E 1002/30 - 76/ 95		E 1002/32 - 76/ 95							
							95	E 1002/18 - 46/ 95		E 1002/20 - 46/ 95								115	E 1002/30 - 76/115		E 1002/32 - 76/115							
							56	E 1002/18 - 56/ 35		E 1002/20 - 56/ 35								155	E 1002/30 - 76/155		E 1002/32 - 76/155							
							55	E 1002/18 - 56/ 55		E 1002/20 - 56/ 55								195	E 1002/30 - 76/195		E 1002/32 - 76/195							
							75	E 1002/18 - 56/ 75		E 1002/20 - 56/ 75								86	75	E 1002/30 - 86/ 75		E 1002/32 - 86/ 75						
							95	E 1002/18 - 56/ 95		E 1002/20 - 56/ 95								95	E 1002/30 - 86/ 95		E 1002/32 - 86/ 95							
							66	E 1002/18 - 66/ 55		E 1002/20 - 66/ 55								115	E 1002/30 - 86/115		E 1002/32 - 86/115							
							75	E 1002/18 - 66/ 75		E 1002/20 - 66/ 75								155	E 1002/30 - 86/155		E 1002/32 - 86/155							
							95	E 1002/18 - 66/ 95		E 1002/20 - 66/ 95								195	E 1002/30 - 86/195		E 1002/32 - 86/195							
							76	E 1002/18 - 76/ 55		E 1002/20 - 76/ 55								96	75	E 1002/30 - 96/ 75		E 1002/32 - 96/ 75						
							75	E 1002/18 - 76/ 75		E 1002/20 - 76/ 75								95	E 1002/30 - 96/ 95		E 1002/32 - 96/ 95							
6	7	9	35	30	22	36	35	E 1002/22 - 36/ 35	24	E 1002/24 - 36/ 35								115	E 1002/30 - 96/115		E 1002/32 - 96/115							
							55	E 1002/22 - 36/ 55		E 1002/24 - 36/ 55								155	E 1002/30 - 96/155		E 1002/32 - 96/155							
							75	E 1002/22 - 36/ 75		E 1002/24 - 36/ 75								195	E 1002/30 - 96/195		E 1002/32 - 96/195							
							95	E 1002/22 - 36/ 95		E 1002/24 - 36/ 95								116	75	E 1002/30 - 116/ 75		E 1002/32 - 116/ 75						
							115	E 1002/22 - 36/115		E 1002/24 - 36/115								95	E 1002/30 - 116/ 95		E 1002/32 - 116/ 95							
							155	E 1002/22 - 36/155		E 1002/24 - 36/155								115	E 1002/30 - 116/115		E 1002/32 - 116/115							
							46	E 1002/22 - 46/ 35		E 1002/24 - 46/ 35								155	E 1002/30 - 116/155		E 1002/32 - 116/155							
							55	E 1002/22 - 46/ 55		E 1002/24 - 46/ 55								195	E 1002/30 - 116/195		E 1002/32 - 116/195							
							75	E 1002/22 - 46/ 75		E 1002/24 - 46/ 75								136	95	E 1002/30 - 136/ 95		E 1002/32 - 136/ 95						
							95	E 1002/22 - 46/ 95		E 1002/24 - 46/ 95								115	E 1002/30 - 136/115		E 1002/32 - 136/115							
							115	E 1002/22 - 46/115		E 1002/24 - 46/115								155	E 1002/30 - 136/155		E 1002/32 - 136/155							
							155	E 1002/22 - 46/155		E 1002/24 - 46/155								195	E 1002/30 - 136/195		E 1002/32 - 136/195							
							56	E 1002/22 - 56/ 55		E 1002/24 - 56/ 55								10	10	12	59	54	40	96	115	E 1002/40 - 96/115	42	E 1002/42 - 96/115
							75	E 1002/22 - 56/ 75		E 1002/24 - 56/ 75									155	E 1002/40 - 96/155		E 1002/42 - 96/155						
							95	E 1002/22 - 56/ 95		E 1002/24 - 56/ 95									195	E 1002/40 - 96/195		E 1002/42 - 96/195						
							115	E 1002/22 - 56/115		E 1002/24 - 56/115									116	115	E 1002/40 - 116/115		E 1002/42 - 116/115					
							155	E 1002/22 - 56/155		E 1002/24 - 56/155									155	E 1002/40 - 116/155		E 1002/42 - 116/155						
							66	E 1002/22 - 66/ 55		E 1002/24 - 66/ 55									195	E 1002/40 - 116/195		E 1002/42 - 116/195						
							75	E 1002/22 - 66/ 75		E 1002/24 - 66/ 75									136	115	E 1002/40 - 136/115		E 1002/42 - 136/115					
							95	E 1002/22 - 66/ 95		E 1002/24 - 66/ 95									155	E 1002/40 - 136/155		E 1002/42 - 136/155						
							115	E 1002/22 - 66/115		E 1002/24 - 66/115									195	E 1002/40 - 136/195		E 1002/42 - 136/195						
							155	E 1002/22 - 66/155		E 1002/24 - 66/155																		
							76	E 1002/22 - 76/ 55		E 1002/24 - 76/ 55																		
							75	E 1002/22 - 76/ 75		E 1002/24 - 76/ 75																		
							95	E 1002/22 - 76/ 95		E 1002/24 - 76/ 95																		
							115	E 1002/22 - 76/115		E 1002/24 - 76/115																		
							155	E 1002/22 - 76/155		E 1002/24 - 76/155																		
							86	E 1002/22 - 86/ 55		E 1002/24 - 86/ 55																		
							75	E 1002/22 - 86/ 75		E 1002/24 - 86/ 75																		
							95	E 1002/22 - 86/ 95		E 1002/24 - 86/ 95																		
							115	E 1002/22 - 86/115		E 1002/24 - 86/115																		
							155	E 1002/22 - 86/155		E 1002/24 - 86/155																		
							96	E 1002/22 - 96/ 75		E 1002/24 - 96/ 75																		

 Ideal für E 1105 und E 1115 /
 Ideal for E 1105 and E 1115